
First published in the Government Gazette, Electronic Edition, on 2 January 2019 at 7 pm.

No. S 13

ACTIVE MOBILITY ACT 2017 (ACT 3 OF 2017)

ACTIVE MOBILITY (REGISTRATION OF REGISTRABLE PERSONAL MOBILITY DEVICES) REGULATIONS 2019

ARRANGEMENT OF REGULATIONS

PART 1

PRELIMINARY

Regulation

1. Citation and commencement
2. Definitions

PART 2

REGISTRATION OF REGISTRABLE PERSONAL MOBILITY DEVICE

3. Person eligible to be registered responsible person to be applicant
4. Eligibility to be registered responsible person
5. Information for application to register registrable PMD
6. Inspection of PMD
7. Determining application to register registrable PMD

PART 3

ALTERATION OF REGISTRATION STATUS

Division 1 — Transfer of registered responsible person

8. Obligation of transferor: initiating application for transfer
9. Obligation of transferee: joint application for transfer
10. Inspection of PMD
11. Re-possession and restoration
12. Transfer on death of registered responsible person
13. Determining transfer application

Division 2 — Other registration changes

Regulation

14. Notification of change in identification details, etc.
15. Notification of total loss or destruction

PART 4

GENERAL PROVISIONS ON APPLICATIONS
AND REGISTRATION PROCESS

16. How to make applications
17. Online applications
18. Application may be made by agent
19. Incomplete or non-compliant applications
20. Waiver, etc., of fees

PART 5

REGISTRABLE PMD REGISTER

21. Maintenance of registrable PMD register
22. Updating of registrable PMD register
23. Requests for register searches
24. Offences connected with register

PART 6

REGISTRATION AND IDENTIFICATION MARKS

25. Installation or display of registration mark
26. When to affix registration mark
27. Identification mark
28. Time to make and affix identification mark
29. How to affix and display identification mark
30. Offences connected with registration marks, etc.
31. Offences connected with identification marks

PART 7

MISCELLANEOUS

32. General duties of registered responsible person
 33. Exceptional registration
 34. Other offences
- The Schedule — Identification mark display requirements
The Schedule

In exercise of the powers conferred by section 67 of the Active Mobility Act 2017, the Land Transport Authority of Singapore, with the approval of the Minister for Transport, makes the following Regulations:

PART 1

PRELIMINARY

Citation and commencement

1. These Regulations are the Active Mobility (Registration of Registrable Personal Mobility Devices) Regulations 2019 and come into operation on 2 January 2019.

Definitions

2. In these Regulations, unless the context otherwise requires —
- “alter”, in relation to a registration mark or identification mark, includes to deface or mutilate the mark;
 - “applicant” means the person who makes an application to the Authority, or the person on whose behalf an application is made by an agent;
 - “application” means —
 - (a) an application to register a registrable personal mobility device;
 - (b) an application to register as a registered responsible person of a registrable personal mobility device;
 - (c) a joint application to transfer the registration of a registered responsible person for a registrable personal mobility device from a transferor to a transferee;
 - (d) an application under regulation 11 or 12 to transfer the registration of a registered responsible person for a registrable personal mobility device; or

-
-
- (e) an application to cancel the registration of a registrable personal mobility device under section 28D of the Act;

“certification mark”, for a PMD, means a sign, mark or label used to distinguish a PMD certified by the proprietor of that sign, mark or label in relation to the safety standard with which the PMD has been built in conformity, from other personal mobility devices not so certified;

“contact address” means the address of —

- (a) for a partnership (other than a limited liability partnership), the partnership’s principal place of business in Singapore;
- (b) for a body corporate, the body corporate’s registered office or principal office in Singapore;
- (c) for an unincorporated association, the unincorporated association’s principal office in Singapore;
- (d) for an individual carrying on business as a sole proprietor, the individual’s principal place of business in Singapore; or
- (e) for any other individual, the individual’s place of residence or workplace in Singapore;

“CorpPass” means the identity authentication service, known as Singapore Corporate Access, by which an entity authenticates its identity in order to carry out an online transaction with the Government or a public authority;

“entity” means a corporation or partnership or an unincorporated association;

“false identification mark” means a label, adhesive or other document that is so nearly resembling an identification mark as to be calculated to deceive;

“false registration mark” means —

- (a) a label, adhesive or other document that is not a registration mark issued by the Authority but purports to be a registration mark; or
- (b) a registration mark that has been altered by a person who is not authorised by the Authority to alter that mark;

“gain” means —

- (a) a gain in property or a supply of services (whether temporary or permanent); or
- (b) an opportunity to earn remuneration or greater remuneration or to gain a financial advantage otherwise than by way of remuneration;

“identification details”, for a registrable PMD, means the following information:

- (a) the unique registration code of the PMD when it is registered;
- (b) the make and model of the PMD;
- (c) whether the PMD has seats;
- (d) the number of wheels of the PMD;
- (e) the colour of the PMD;

“identification mark”, for a registrable PMD, means an identification mark required by section 28G(1)(b) of the Act to be made and affixed to the registrable PMD when registered;

“loss” means —

- (a) a loss of property or a supply of services (whether temporary or permanent); or
- (b) any deprivation of an opportunity to earn remuneration or greater remuneration or an opportunity to gain a financial advantage otherwise than by way of remuneration;

“public duty” means a function that is given to —

- (a) a public officer;
- (b) the Authority, an authorised officer, an outsourced enforcement officer, a public path warden or a volunteer public path warden in the exercise of powers or performance of functions under the Act; or
- (c) an employee or a member of another public authority established by or under written law for the purposes of a public function;

“registrable PMD” means a registrable personal mobility device;

“registration mark”, for a registered registrable PMD, means a registration mark —

- (a) that is issued under section 28C(2)(b) of the Act to the registered responsible person for the registrable personal mobility device; and
- (b) that indicates the unique registration code for that PMD;

“requisite minimum age” means 16 years of age;

“SingPass” means the identity authentication service, known as Singapore Personal Access, by which an individual authenticates the individual’s identity in order to carry out an online transaction with the Government or a public authority;

“stem”, for a PMD, means the stem which is integral to the construction of the PMD;

“unique registration code”, for a registered registrable PMD, means the registration code assigned under section 28C(2)(a) of the Act for that PMD;

“valid receipt” means a receipt for the sale of a personal mobility device, being a receipt that —

- (a) is an original document or a photocopy or other facsimile of the original document;

-
-
- (b) is dated; and
 - (c) contains —
 - (i) the name and other identifying particulars of the relevant seller; and
 - (ii) the description of the personal mobility device to which it relates.

PART 2

REGISTRATION OF REGISTRABLE PERSONAL MOBILITY DEVICE

Person eligible to be registered responsible person to be applicant

3. Only a person who is eligible to be the registered responsible person of a registrable personal mobility device may apply to the Authority for registration of the registrable personal mobility device.

Eligibility to be registered responsible person

4. A person is eligible to be the registered responsible person for a registrable personal mobility device only if the person is —

- (a) an individual who —
 - (i) has attained the requisite minimum age; and
 - (ii) has a contact address in Singapore; or
- (b) an entity with a contact address in Singapore.

Information for application to register registrable PMD

5.—(1) An application to register a registrable personal mobility device must contain or be accompanied by —

- (a) the identity and contact address of the applicant;
- (b) the age of the person (if an individual) seeking to be registered as the responsible person for the PMD;
- (c) the identification details of the registrable personal mobility device;

-
-
- (d) a declaration that the registrable personal mobility device is not a non-compliant personal mobility device;
 - (e) a colour photograph of —
 - (i) the registrable personal mobility device; and
 - (ii) the certification mark on or affixed to the device, if there is any;
 - (f) an application fee of \$20; and
 - (g) any other information specified by the Authority to decide on the particular application.

(2) In addition, an application which is made on or after 1 July 2019 to register a registrable personal mobility device which is non-compliant must contain or be accompanied by information about when the personal mobility device came into the ownership, or under the possession, of the applicant.

(3) The Authority may request an applicant seeking to register a personal mobility device to provide evidence, in a form approved by the Authority, verifying any of the following:

- (a) the identity of the applicant;
- (b) the age of the applicant if an individual;
- (c) that the personal mobility device is not a non-compliant personal mobility device;
- (d) in the case of an application mentioned in paragraph (2), when the PMD came into the ownership, or under the possession, of the applicant, such as a valid receipt for the purchase of the personal mobility device by the applicant.

Inspection of PMD

6.—(1) On receiving an application under regulation 5(1) for a registrable personal mobility device, the Authority may carry out, or require the applicant to arrange to be carried out within a time specified, an inspection of the personal mobility device at such place and by such persons as specified by the Authority.

(2) Without limiting regulation 19, the Authority may refuse to consider an application to register a registrable personal mobility device if the applicant refuses or fails, without reasonable excuse, to arrange to be carried out an inspection of the personal mobility device as required by the Authority under paragraph (1).

Determining application to register registrable PMD

7. The Authority may refuse an application for registration of a registrable PMD if —

- (a) the PMD, when sold (whether or not to the applicant), was a non-compliant personal mobility device;
- (b) the Authority reasonably believes that —
 - (i) the PMD or a part of the PMD is or may be stolen;
 - (ii) information given in the application for registration is false or misleading; or
 - (iii) the PMD is being or is about to be used for an unlawful purpose;
- (c) the Authority has sought further information or supporting evidence in relation to the registration and the information or evidence has not been given to the Authority; or
- (d) the Authority is not satisfied that the person to be registered as a responsible person for the PMD, if an individual, has attained the requisite minimum age.

PART 3

ALTERATION OF REGISTRATION STATUS

Division 1 — Transfer of registered responsible person

Obligation of transferor: initiating application for transfer

8.—(1) A registered responsible person for a registrable personal mobility device who disposes of, or transfers immediate possession otherwise than temporarily, (called in these Regulations the transferor) to another person (called in these Regulations the transferee) a registrable personal mobility device which is

registered must, within 7 days after disposing or transferring possession of the device —

- (a) complete an application to transfer the registration of a registered responsible person for that personal mobility device, in the form approved by the Authority; and
- (b) give, or cause to be given, to the transferee the completed form.

(2) A registered responsible person for a registrable PMD commits an offence if the person —

- (a) disposes, or transfers immediate possession otherwise than temporarily, of the PMD to another; and
- (b) without reasonable excuse, fails to comply with paragraph (1) in relation to the registrable PMD.

(3) A person who is guilty of an offence under paragraph (2) shall be liable on conviction —

- (a) in the case of a first offence, to a fine not exceeding \$1,000 or to imprisonment for a term not exceeding 3 months or to both; and
- (b) in the case of a second or subsequent offence, to a fine not exceeding \$2,000 or to imprisonment for a term not exceeding 6 months or to both.

(4) To avoid doubt, this regulation does not apply to the passing of possession of a registrable personal mobility device —

- (a) under any hiring (not being a hiring under a hire-purchase agreement) or under any lending (not being a lending under a lease agreement) of a registrable personal mobility device;
- (b) to an agent for the purposes of sale or disposal;
- (c) to a bailee for the purpose of alteration, repair, renovation, garaging, storing or any other similar purpose not involving the use of the personal mobility device for the benefit of the bailee;

- (d) in accordance with an order of a court or with any other legal process; or
- (e) to and from a holder of a security interest in a registered registrable PMD in any circumstances in regulation 11 which require an application to transfer the registration of the registered responsible person for the PMD to be made.

Obligation of transferee: joint application for transfer

9.—(1) A transferee, or the agent of a transferee, who acquires from a transferor a registrable PMD which is registered must, within 7 days after acquiring the PMD —

- (a) complete the application to transfer the registration of a registered responsible person for that personal mobility device that the transferee is given by the transferor of that device under regulation 8; and
- (b) apply to the Authority to transfer to the transferee the registration of a responsible person for that device.

(2) An application to transfer the registration of a registered responsible person for a registrable personal mobility device must contain or be accompanied by —

- (a) the identity and respective contact addresses of the transferor and transferee;
- (b) a colour photograph of the registrable personal mobility device;
- (c) an application fee of \$7; and
- (d) any other information specified by the Authority to decide on the particular joint application by the transferor and transferee.

(3) The Authority may request the transferor or transferee or both of an application to transfer the registration of a registered responsible person for a registrable personal mobility device to provide evidence, in a form approved by the Authority, verifying —

- (a) the identity of the transferor and transferee;

-
-
- (b) the age of the transferee;
 - (c) when the PMD came into the ownership, or under the possession, of the transferee, such as a valid receipt for the purchase of the personal mobility device by the transferee, if applicable; and
 - (d) if the registrable personal mobility device is acquired in accordance with an order of a court or with any other legal process, the court order or process.
- (4) Where a transferee, without reasonable excuse, fails to comply with paragraph (1) in relation to a registrable PMD, the transferee shall be guilty of an offence and shall be liable on conviction —
- (a) in the case of a first offence, to a fine not exceeding \$1,000 or to imprisonment for a term not exceeding 3 months or to both; and
 - (b) in the case of a second or subsequent offence, to a fine not exceeding \$2,000 or to imprisonment for a term not exceeding 6 months or to both.
- (5) To avoid doubt, this regulation does not apply to the passing of possession of a registrable personal mobility device —
- (a) under any hiring (not being a hiring under a hire-purchase agreement) or under any lending (not being a lending under a lease agreement) of a registrable personal mobility device;
 - (b) to an agent for the purposes of sale or disposal;
 - (c) to a bailee for the purpose of alteration, repair, renovation, garaging, storing or any other similar purpose not involving the use of the personal mobility device for the benefit of the bailee;
 - (d) in accordance with an order of a court or with any other legal process; or
 - (e) to and from a holder of a security interest in a registered registrable PMD in any circumstances in regulation 11 which require an application to transfer the registration of the registered responsible person for the PMD to be made.

Inspection of PMD

10.—(1) On receiving a joint application under regulation 9 to transfer the registration of a registered responsible person for a registrable personal mobility device, the Authority may carry out, or require the transferor or the transferee or both to arrange to be carried out within a time specified, an inspection of the personal mobility device at such place and by such persons as specified by the Authority.

(2) Without limiting regulation 19, the Authority may refuse to consider a joint application under this regulation to transfer the registration of a registered responsible person for a registrable personal mobility device if the transferor or transferee or both refuses or fails, without reasonable excuse, to arrange to be carried out an inspection of the personal mobility device as required by the Authority under paragraph (1).

Re-possession and restoration

11.—(1) The holder of a security interest in a registered registrable PMD must notify the Authority, and apply to transfer the registration of the registered responsible person for the PMD, not more than 7 days after —

- (a) taking possession of the PMD from the registered responsible person for the PMD; or
- (b) returning possession of the PMD to the previous registered responsible person for the PMD.

(2) The notice and application under paragraph (1) must be in a form approved by the Authority and be accompanied by an application fee of \$7.

(3) The holder of a security interest in a registered registrable PMD who, without reasonable excuse, fails to comply with paragraph (1) in relation to a registered registrable PMD, shall be guilty of an offence and shall be liable on conviction —

- (a) in the case of a first offence, to a fine not exceeding \$1,000 or to imprisonment for a term not exceeding 3 months or to both; and

-
-
- (b) in the case of a second or subsequent offence, to a fine not exceeding \$2,000 or to imprisonment for a term not exceeding 6 months or to both.

Transfer on death of registered responsible person

12.—(1) On notification of the death of the registered responsible person of a registrable PMD, the Authority may transfer the registration of a responsible person to any person who applies to the Authority to transfer the registration of a responsible person for the registrable PMD if —

- (a) the person proves to the satisfaction of the Authority that the person is reasonably entitled to the transfer; and
- (b) an application fee of \$7 is paid.

(2) A transfer under this regulation may be cancelled by the Authority if, during the currency of the registration, any person produces probate of the will or letters of administration granted to the person for the estate of the deceased and applies, pursuant to the will or letters of administration, to have the registration of a registered responsible person for a registrable PMD transferred to a person other than the person to whom the registration as a responsible person for that PMD has been transferred under paragraph (1).

Determining transfer application

13.—(1) The Authority may refuse a joint application under regulation 9, or an application under regulation 11 or 12, to transfer the registration of a registered responsible person for a registrable personal mobility device if —

- (a) the personal mobility device is a non-compliant personal mobility device;
- (b) the Authority is not satisfied that the person to whom the registration is proposed to be transferred, if an individual, has attained the requisite minimum age;
- (c) the Authority reasonably believes that —
- (i) the personal mobility device or a part of it is or may be stolen;

-
-
- (ii) information given in the application is false or misleading; or
 - (iii) the personal mobility device is being or is about to be used for an unlawful purpose;
 - (d) the Authority reasonably believes that the ownership, possession, control or description of the registrable personal mobility device is uncertain;
 - (e) the Authority has sought further information or supporting evidence in relation to the transfer and the information or evidence has not been given to the Authority;
 - (f) the Authority reasonably believes that the possession of the registrable personal mobility device has not changed; or
 - (g) the Authority would refuse an application to register the registrable personal mobility device under these Regulations.

(2) The Authority must refuse to register a transfer of the registration of a registered responsible person for a registrable PMD if an order of a court prohibits the transfer of the registration for the PMD, and the Authority has been notified of the order.

Division 2 — Other registration changes

Notification of change in identification details, etc.

14.—(1) The registered responsible person for a registered registrable PMD must notify the Authority, in a form approved by the Authority, not more than 7 days after —

- (a) a change in the registered responsible person's name or contact address;
- (b) a change in any identification detail of the PMD; or
- (c) a change to the PMD that affects the accuracy of its description, or any particulars of registration relating to the PMD, in the registrable PMD register.

(2) Where an individual has made a report of a change of the individual's residential address under section 8 of the National

Registration Act (Cap. 201), the individual is taken to have notified the Authority of the change in compliance with paragraph (1)(a) insofar as the provision relates to the contact address of the individual (but not as a sole proprietor).

(3) The registered responsible person for a registered registrable PMD who, without reasonable excuse, fails to comply with paragraph (1) shall be guilty of an offence and shall be liable on conviction —

- (a) in the case of a first offence, to a fine not exceeding \$1,000 or to imprisonment for a term not exceeding 3 months or to both; and
- (b) in the case of a second or subsequent offence, to a fine not exceeding \$2,000 or to imprisonment for a term not exceeding 6 months or to both.

Notification of total loss or destruction

15.—(1) The registered responsible person for a registered registrable PMD that has been —

- (a) destroyed or rendered beyond repair as a consequence of damage caused to the PMD by an accident or other occurrence; or
- (b) assessed in a vehicle damage assessment as a total loss,

must notify the Authority of those matters, in a form approved by the Authority, and apply to cancel the registration of the PMD, not more than 14 days after their occurrence.

(2) The registered responsible person for a registered registrable PMD who, without reasonable excuse, fails to comply with paragraph (1) shall be guilty of an offence and shall be liable on conviction —

- (a) in the case of a first offence, to a fine not exceeding \$1,000 or to imprisonment for a term not exceeding 3 months or to both; and

-
-
- (b) in the case of a second or subsequent offence, to a fine not exceeding \$2,000 or to imprisonment for a term not exceeding 6 months or to both.

PART 4

GENERAL PROVISIONS ON APPLICATIONS AND REGISTRATION PROCESS

How to make applications

16. An application must be made in a form approved by the Authority and be made in one of the following ways:

- (a) at the office of the Authority during its business hours;
- (b) online at <http://www.onemotoring.com.sg>;
- (c) at any post office of a public postal licensee if made before 1 July 2019.

Online applications

17. To make an application online, the applicant must —

- (a) if an individual, authenticate the individual's identity using SingPass; and
- (b) if a person who is authorised by an entity to carry out an online transaction involving the entity, authenticate the identity of the entity using CorpPass.

Application may be made by agent

18.—(1) An application may be made —

- (a) by the applicant personally; or
- (b) on behalf of the applicant by an agent.

(2) The Authority may refuse to grant an application that appears to the Authority to be made on behalf of an applicant by an agent if the agent does not provide the Authority with —

- (a) evidence of the agent's identity in a form acceptable to the Authority; or

-
-
- (b) a document evidencing the authority of the agent to act as agent for the applicant.

Incomplete or non-compliant applications

19. The Authority may refuse to consider an application that is incomplete or not made in accordance with these Regulations.

Waiver, etc., of fees

20. The Authority may, in any particular case it thinks fit —
- (a) waive the whole or any part of any fee payable under these Regulations; or
 - (b) refund the whole or any part of any fee payable under these Regulations.

PART 5

REGISTRABLE PMD REGISTER

Maintenance of registrable PMD register

21.—(1) For the purposes of section 28E(3) of the Act, where the Authority registers a registrable personal mobility device, the Authority must record in the registrable PMD register, in respect of the PMD —

- (a) the name and contact address of the registered responsible person for the registrable PMD;
- (b) the date of birth of the registered responsible person who is an individual;
- (c) the PMD's unique registration code;
- (d) the identification details of the registrable personal mobility device;
- (e) a colour photograph of the PMD;
- (f) a colour photograph of the certification mark on or affixed to the PMD, if there is any marked or affixed to the PMD; and

-
-
- (g) where the registration is pursuant to an application mentioned in regulation 5(2), details of the valid receipt mentioned in regulation 5(3)(d) for the purchase of the personal mobility device by the registered responsible person or any other evidence provided about when the PMD came into the ownership, or under the possession, of the registered responsible person.
- (2) The Authority may record in the registrable PMD register other information for —
- (a) the purposes of the Act and these Regulations;
 - (b) the purposes of Part 3 of the Parking Places Act (Cap. 214);
or
 - (c) any other purposes that the Authority considers appropriate.

Updating of registrable PMD register

22.—(1) The Authority must record in the registrable PMD register any change in the registrable PMD's description that is recorded in the registrable PMD register of which the Authority has been notified under the Act or these Regulations unless the Authority is satisfied that the description is false.

(2) The Authority may require evidence in a form acceptable to the Authority verifying that the changes mentioned in paragraph (1) are correct.

(3) If the Authority is notified or otherwise advised by the registered responsible person of a registrable PMD that the PMD has been disposed of, the Authority may make an entry in the registrable PMD register to that effect pending the receipt of a joint application under regulation 9 for the transfer of registration as a registered responsible person for that personal mobility device.

Requests for register searches

23.—(1) The following persons are prescribed for the purposes of section 28E(5)(b) and (c) of the Act:

-
-
- (a) a registered responsible person for a registered registrable PMD applying for information or a certification about that PMD;
 - (b) a police officer;
 - (c) an officer of any of the following Government departments, who is charged with the duty of investigating offences or charging offenders under written law:
 - (i) the Immigration & Checkpoints Authority;
 - (ii) the Singapore Civil Defence Force;
 - (iii) the Central Narcotics Bureau;
 - (iv) the Singapore Customs;
 - (v) the Ministry of Manpower;
 - (vi) the Ministry of Health;
 - (vii) the Ministry of Defence;
 - (viii) the Corrupt Practices Investigation Bureau;
 - (d) an officer of a public authority applying for information or a certification about any PMD for the purpose of performing the public authority's functions and with the written approval of the chief executive (however designated) of that public authority;
 - (e) any of the following persons applying for information or a certification about any PMD for the purposes of any legal proceedings (including anticipated or pending legal proceedings):
 - (i) an employee of a Singapore law practice (within the meaning given by section 2(1) of the Legal Profession Act (Cap. 161)) which is approved by the Authority for the purposes of section 28E(5)(b) and (c) of the Act;
 - (ii) an officer of the Legal Aid Bureau.

(2) A person mentioned in paragraph (1) is entitled to request a search of the registrable PMD register, and to obtain a certificate as to any matter appearing in the register, in respect of the PMD, on payment of the following, whichever is applicable:

- (a) \$35.31 for each search of an entry in the registrable PMD register;
- (b) \$7.49 for each copy or extract from an entry in the registrable PMD register;
- (c) \$12.84 for each copy or extract from an entry in the registrable PMD register, which is certified as a true copy or extract by an authorised officer.

Offences connected with register

24.—(1) A person commits an offence if the person —

- (a) enters, or causes to be entered, in the registrable PMD register any information which the person knows or ought reasonably to know is false;
- (b) makes, or causes to be made, any change to an entry in the registrable PMD register which the person knows or ought reasonably to know renders the information in the register false; or
- (c) makes, or causes to be made, any thing purporting to be a copy of an entry in the registrable PMD register and the person knows or ought reasonably to know the entry or thing to be false.

(2) A person who is guilty of an offence under paragraph (1) shall be liable on conviction to a fine not exceeding \$5,000 or to imprisonment for a term not exceeding 6 months or to both.

PART 6

REGISTRATION AND IDENTIFICATION MARKS

Installation or display of registration mark

25. For the purposes of section 28G(1)(a) of the Act, the registered responsible person for a registered registrable PMD must ensure that the registration mark for that PMD is installed or displayed on the PMD —

- (a) as follows, whichever is practicable:
 - (i) on the front portion of the stem of the PMD;
 - (ii) on either side of the stem of the PMD; and
- (b) so that the registration mark —
 - (i) is not obscured;
 - (ii) is visible from the front or side of the PMD when it is in motion; and
 - (iii) is not upside down.

When to affix registration mark

26. For the purposes of section 28G(1)(a) of the Act, the registered responsible person for a registered registrable PMD must affix (at the registered responsible person's expense) on the registrable PMD the registration mark for that PMD no later than the 14th day after the registration of the PMD, or such longer period as the Authority may allow in any particular case.

Identification mark

27. For the purposes of section 28G(1)(b) of the Act, the identification mark for a registered registrable PMD must show the PMD's unique registration code —

- (a) as —
 - (i) black characters against a yellow background; or
 - (ii) white characters against a black background; and
- (b) in the dimensions and layout specified in the Schedule.

Time to make and affix identification mark

28. For the purposes of section 28G(1)(b) of the Act, the registered responsible person for a registered registrable PMD must make and affix (at the registered responsible person's expense) on the registrable PMD the identification mark for that PMD —

- (a) no later than the 14th day after the registration of the PMD, or such longer period as the Authority may allow in any particular case, if it is registered before 1 July 2019;
- (b) no later than the 3rd day after the registration of the PMD, or such longer period as the Authority may allow in any particular case, if it is registered on or after 1 July 2019 or such longer period as the Authority may allow in any particular case; or
- (c) no later than the 3rd day after the unique registration code assigned to the registrable PMD is replaced, or such longer period as the Authority may allow in any particular case.

How to affix and display identification mark

29. For the purposes of section 28G(1)(b) of the Act, the registered responsible person for a registered registrable PMD must ensure that any identification mark for that PMD is affixed and displayed on the PMD —

- (a) as follows, whichever is practicable:
 - (i) permanently affixed on the front portion of the immovable part of the stem of the PMD, near its front wheel;
 - (ii) permanently affixed on either side of the immovable part of the stem of the PMD, near its front wheel; and
- (b) so that the identification mark —
 - (i) is not obscured;
 - (ii) is visible from the front or side of the PMD when it is in motion;
 - (iii) is not upside down; and

(iv) is displayed in compliance with the Schedule.

Offences connected with registration marks, etc.

30.—(1) A person commits an offence if —

- (a) the person has possession or control of a false registration mark; and
- (b) the person knows or ought reasonably to have known that the document is a false registration mark.

(2) Paragraph (1) does not apply if the person has a reasonable excuse.

(3) A person commits an offence if —

- (a) the person makes a false registration mark with the intention of dishonestly inducing another person to accept it as genuine; and
- (b) by reason of the other person so accepting it as genuine —
 - (i) obtains a gain (whether for the person or someone else);
 - (ii) causes a loss to the other person or someone else; or
 - (iii) influences the exercise of a public duty.

(4) A person commits an offence if —

- (a) the person installs, affixes or displays on a registrable PMD —
 - (i) a false registration mark which the person knows, or ought reasonably to have known, to be a false registration mark; or
 - (ii) a registration mark which the person knows, or ought reasonably to have known, to be a registration mark not issued for that PMD,

with the intention of dishonestly inducing another person to accept it as genuine or a registration mark issued for that PMD, as the case may be; and

-
-
- (b) by reason of the other person so accepting, the person —
- (i) obtains a gain (whether for the person or someone else);
 - (ii) causes a loss to the other person or someone else; or
 - (iii) influences the exercise of a public duty.
- (5) A person commits an offence if the person —
- (a) without the permission of the Authority, intentionally damages, removes, tampers, defaces or mutilates any registration mark or identification mark installed, affixed or displayed on a registrable PMD; and
 - (b) knows or ought reasonably to know that the person does not have that permission to damage, remove, tamper, deface or mutilate the registration mark or identification mark.
- (6) A person who is guilty of an offence under paragraph (1), (3), (4) or (5) shall be liable on conviction to a fine not exceeding \$5,000 or to imprisonment for a term not exceeding 6 months or to both.
- (7) A person may be treated for the purposes of this regulation as making a false registration mark if the person alters a label, adhesive or other document so as to make it false in any respect, whether or not it was already a false registration mark before the alteration or is false in some other respect apart from that alteration.

Offences connected with identification marks

- 31.—**(1) A person commits an offence if —
- (a) the person affixes or displays on a registrable PMD which is not registered a false identification mark which the person knows, or ought reasonably to have known, to be a false identification mark, with the intention of dishonestly inducing another person to accept it as a genuine identification mark;
 - (b) the person knows, or ought reasonably to have known, that the registrable PMD is not registered; and

-
-
- (c) by reason of the other person so accepting, the person —
- (i) obtains a gain (whether for the person or someone else);
 - (ii) causes a loss to the other person or someone else; or
 - (iii) influences the exercise of a public duty.
- (2) A person commits an offence if —
- (a) the person affixes or displays on a registered registrable PMD any label, adhesive or other document which does not show the registration code assigned to the PMD under section 28C(2)(a) of the Act, with the intention of dishonestly inducing another person to accept the label or other mark as a genuine identification mark;
 - (b) the person knows, or ought reasonably to have known, the registration code assigned to the PMD under section 28C(2)(a) of the Act; and
 - (c) by reason of the other person so accepting, the person —
 - (i) obtains a gain (whether for the person or someone else);
 - (ii) causes a loss to the other person or someone else; or
 - (iii) influences the exercise of a public duty.
- (3) A person who is guilty of an offence under paragraph (1) or (2) shall be liable on conviction to a fine not exceeding \$5,000 or to imprisonment for a term not exceeding 6 months or to both.

PART 7

MISCELLANEOUS

General duties of registered responsible person

32.—(1) The registered responsible person for a registered registrable PMD must present the PMD for inspection or testing in accordance with reasonable notice in writing served on the registered responsible person by the Authority.

(2) The registered responsible person for a registered registrable PMD who, without reasonable excuse, fails to comply with paragraph (1) shall be guilty of an offence and shall be liable on conviction —

- (a) in the case of a first offence, to a fine not exceeding \$1,000 or to imprisonment for a term not exceeding 3 months or to both; and
- (b) in the case of a second or subsequent offence, to a fine not exceeding \$2,000 or to imprisonment for a term not exceeding 6 months or to both.

Exceptional registration

33. Despite anything in these Regulations, the Authority may —

- (a) register a registrable PMD; or
- (b) register the transfer of registration of a registered responsible person for a registrable PMD,

despite the failure of the applicant or one of the parties to the transfer (as the case may be) to meet a requirement of these Regulations relating to the application to register or to transfer (as the case may be), if it appears to the Authority that there has been no default, negligence, improper delay or other conduct on the applicant's part.

Other offences

34.—(1) A person commits an offence if —

- (a) the person furnishes a document, statement or information to the Authority;
- (b) the document, statement or information is false or misleading;
- (c) the person knows, or ought reasonably to know, that the document, statement or information is false or misleading; and
- (d) the document, statement or information is furnished in, or in connection with —

-
-
- (i) an application to register a responsible person for a registerable PMD, whether for that person or for another; or
 - (ii) an application under regulation 9, 11 or 12 to transfer the registration of a registered responsible person.
- (2) A person who is guilty of an offence under paragraph (1) shall be liable on conviction to a fine not exceeding \$5,000 or to imprisonment for a term not exceeding 6 months or to both.
- (3) Paragraph (1) does not apply if —
- (a) the document, statement or information is not false or misleading in a material particular; or
 - (b) the statement or information did not omit any matter or thing without which the statement or information (as the case may be) is misleading in a material particular.

THE SCHEDULE

Regulations 27(b) and 29(b)

IDENTIFICATION MARK DISPLAY REQUIREMENTS

1. The unique registration code assigned upon the registration of a registrable PMD must be contained in the identification mark for the registrable PMD and must be displayed in either of the following ways:
 - (a) in a single vertical row, to be read from top to bottom, as illustrated in Diagram 1 below;

DIAGRAM 1



THE SCHEDULE — *continued*

- (b) in a single horizontal row, to be read from left to right, as illustrated in Diagram 2 below;

DIAGRAM 2

THE SCHEDULE — *continued*

- (c) in 2 horizontal rows, to be read from left to right, with the numerals on the top row, and the letters on the bottom row, as illustrated in Diagram 3 below.

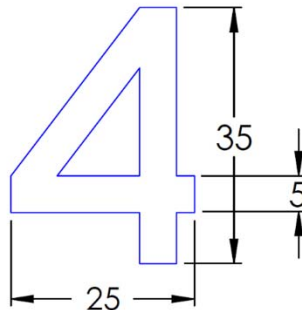
DIAGRAM 3

THE SCHEDULE — *continued*



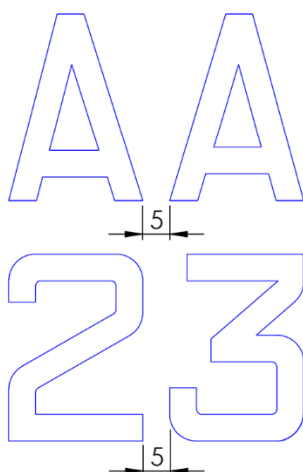
THE SCHEDULE — *continued*

2. The figures or letters comprising the PMD's unique registration code must be inscribed, printed, engraved or depicted on the surface of the identification mark in a manner that may not be easily removed.
3. The figures or letters comprising the PMD's unique registration code must be in either a vertical or horizontal position so that every figure or letter is distinguishable to any person who may be in front of the PMD when it is in motion.
4. Any other figure, letter, advertisement, ornament or other thing must not be affixed or attached near the identification mark in such manner.
5. The identification mark must satisfy all of the following dimensions and layout:
 - (a) each letter or figure must be 35 mm high, every part of each letter or figure must be 5 mm broad and the total space taken by each letter or figure must be 25 mm wide, as illustrated by Diagram 4 below;

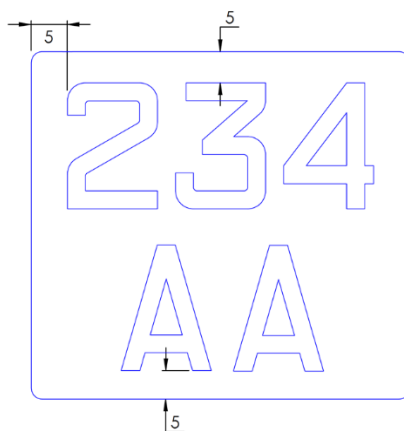
DIAGRAM 4

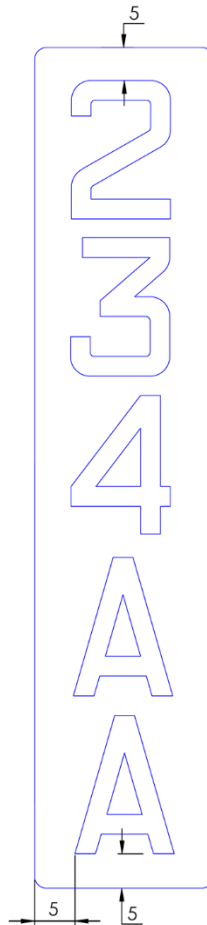
THE SCHEDULE — *continued*

- (b) the space between adjoining figures or letters must be 5 mm, as illustrated by Diagram 5 below;

DIAGRAM 5

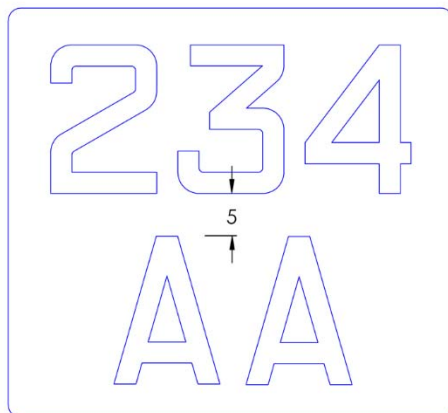
- (c) the margin between such part of any letter or figure nearest to the top, bottom, or sides of the identification mark, and the top or bottom of the identification mark, must be a minimum of 5 mm, as illustrated by Diagram 6 below;

DIAGRAM 6

THE SCHEDULE — *continued*

THE SCHEDULE — *continued*

- (d) if the letters or figures are displayed in 2 rows as permitted by paragraph 1(c), the space between the letters or figures in the top row and the bottom row must be 5 mm, as illustrated by Diagram 7 below.

DIAGRAM 7

Made on 2 January 2019.

CHAN HENG LOON ALAN
Chairman,
Land Transport Authority of
Singapore.

[LTA/L18.056.002/DVT/FH/AMR1; AG/LEGIS/SL/2C/2015/4
Vol. 1]

(To be presented to Parliament under section 67(4) of the Active Mobility Act 2017).