
First published in the Government *Gazette*, Electronic Edition, on 31st December 2003 at 5:00 pm.

No. S 666

BUILDING CONTROL ACT (CHAPTER 29)

BUILDING CONTROL REGULATIONS 2003

ARRANGEMENT OF REGULATIONS

PART I

PRELIMINARY

Regulation

1. Citation and commencement
2. Definitions
- 2A. Geotechnical building works
3. Application
- 3A. Insignificant building works

PART II

SUBMISSION AND APPROVAL OF PLANS

4. Application for approval of plans of building works
5. Plans of alterations and additions to buildings
6. Preparation of plans for approval
7. Scale of plans
8. Particulars to be shown on building plans
9. Particulars to be shown on detailed structural plans and design calculations
10. Particulars to be shown on site formation plans and pile layout plans
- 10A. Particulars to be shown in geotechnical building works plans
- 10B. Particulars to be shown in demolition works plans
11. Particulars to be shown on civil defence shelter plans
12. Minor building works
13. Non-acceptance of application for approval of plans
14. Approval of plans
15. Disapproval of plans
16. Return of disapproved or withdrawn plans

Regulation

17. No refund of fees
18. Amendment and record plans of building works
19. Validity period of approval
20. Application for modification or waiver of building regulations
21. Permit to carry out structural works

PART III

DUTIES OF QUALIFIED PERSONS, SITE SUPERVISORS AND BUILDERS
DURING CONSTRUCTION

22. Site records
23. Submission of progress reports and certificates
- 23A. Large and small-scale building works
24. Site supervisors
- 24A. Duties of qualified persons regarding geotechnical building works
25. Change of builder

PART IV

DESIGN AND CONSTRUCTION

26. Compliance with design and construction requirements
27. Acceptable solutions
28. Civil defence shelters
29. Lifts and escalators
30. Protective hoardings
31. Site investigation
32. Pre-construction survey
33. Impact assessment report
34. Measures to protect trenches and pits
- 34A. Formation of new slope or embankment
35. Drainage of excavations
36. Protection of foundations and excavations
37. Instrumentation and monitoring results
38. Materials for construction
- 38A. Ready-mixed concrete
- 38B. Prohibited designs for exterior of building
39. Construction tests
40. Failure of test
41. Taking of samples for analysis

PART IVA
INSTALLATION OF EXTERIOR FEATURES

Regulation

- 41A. Definitions of this Part
- 41B. Installation of air-conditioning unit by trained air-conditioning unit installer
- 41C. Duties of trained air-conditioning unit installer
- 41D. Installation of window by trained window installer, etc.
- 41E. Duties of builder, approved window contractor and trained window installer
- 41F. Qualifications for certification as trained air-conditioning unit installer
- 41G. Requirements for registration as approved window contractor
- 41H. Qualifications for certification as trained window installer
- 41I. Revocation of registration

PART V
OCCUPATION OF BUILDINGS

- 42. Certificate of statutory completion
- 43. Temporary occupation permit
- 44. Separation of part of building under construction

PART VI
MISCELLANEOUS

- 45. Overloading
 - 46. Notice as to loads
 - 47. Power to prescribe procedures and set standards
 - 48. Application of standards or code of practice
 - 49. Inspection and copying of approved drawings
 - 50. Penalty
 - 51. Revocation and savings
- The Schedules
-

In exercise of the powers conferred by section 49 of the Building Control Act, the Minister for National Development hereby makes the following Regulations:

PART I
PRELIMINARY

Citation and commencement

1. These Regulations may be cited as the Building Control Regulations 2003 and shall come into operation on 1st January 2004.

Definitions

2. In these Regulations, unless the context otherwise requires —

“acceptable solution” means the specifications, design, material or method of construction set out in an Approved Document;

“alternative solution” means a solution that entails the use of any design, material or method of construction that differs completely or partially from those in the acceptable solution;

[Deleted by S 54/2008 wef 15/02/2008]

“approved” means approved by the Commissioner of Building Control;

“Approved Document” means an Approved Document issued by the Commissioner of Building Control under regulation 27;

“building envelope” means the elements of a building which enclose air-conditioned spaces through which thermal energy may be transferred from the exterior;

“code of practice” means the relevant Singapore Standard Code of Practice, and where there is no such code of practice means the relevant British Standard Code of Practice or any other relevant code of practice which is acceptable to the Commissioner of Building Control;

[Deleted by S 54/2008 wef 15/02/2008]

“existing building” means any building in respect of which a certificate of statutory completion or a temporary occupation permit has been issued;

“floor” includes a horizontal platform forming the surface of a storey and any joist, board, timber, stone, concrete, steel or

other material connected with or forming part of such platform;

“foundation” means that part of a building which is below or in direct contact with the ground, and through which the weight of the building and the loads acting on the building are transmitted to the ground, and includes any footing, raft or pile of the building;

[S 709/2017 wef 15/12/2017]

“fresh air” means normal outdoor air not unduly affected by odours, smoke, effluents, dust, fumes discharges from mechanical plants and the like;

“geotechnical report” means calculations, plans or report prepared in respect of geotechnical building works by a qualified person who is a geotechnical engineer showing —

- (a) the results of the findings, evaluation and interpretation of the site investigation and laboratory tests;
- (b) assessment of and recommendations on the geotechnical aspects for the design and construction of the geotechnical building works; and
- (c) plans showing those elements of building works designed by the person who is a geotechnical engineer;

[S 250/2008 wef 01/10/2008]

[S 591/2012 wef 01/12/2012]

“gross floor area” has the same meaning as “floor area” in the Planning (Development Charges) Rules (Cap. 232, R 5);

“household shelter”, “public shelter” and “storey shelter” have the same meanings as in the Civil Defence Shelter Act (Cap. 42A);

“immaterial changes”, in relation to building works, means any changes that do not affect the objectives and performance requirements set out in the Fifth Schedule relating to the approved plans, and that —

- (a) do not affect any key structural elements; or
- (b) affect the key structural elements but the effects are localised in nature and do not require a re-design of the key structural elements;

[S 665/2013 wef 01/04/2014]

“imposed load” or “imposed loading” means the load assumed to be introduced by the intended occupancy or use, including distributed, concentrated, impact and inertia but does not include wind loads;

“lift” means a lift machine or an appliance equipped with a car, platform or other device that moves along guides in a substantially vertical direction and is used for carrying persons or goods but does not include any temporary hoist in any construction site or dumb waiter or lift for the carriage of goods only;

“load bearing”, in relation to a part of a building (including its foundation), means that part of the building which bears a load other than that due to its own weight and wind pressure on its own surface;

“material changes”, in relation to building works, means any changes other than immaterial changes;

[S 665/2013 wef 01/04/2014]

“mechanical ventilation” means the process of supplying or removing air to or from a building or part thereof by mechanical means or devices;

“natural ventilation” means the supply of outside air to a building or removal of inside air from a building by means of windows and other openings;

“ready-mixed concrete” means concrete in a fresh state that is manufactured in a batching plant situated at any location, and supplied for use in an unhardened form;

[S 665/2013 wef 28/10/2013]

“record plan” means a plan showing the immaterial changes made to the building works of the approved plan;

“residential building” means a building or part thereof designed or adapted or used for human habitation such as a detached, semi-detached or terraced house or residential flat, and includes any outbuilding and other covered structure which are intended for the enjoyment of the occupiers of the building or part thereof or are otherwise appurtenant to such a building;

“retaining wall” means a structure used to resist the lateral displacement or support the load of any retained material and includes any contiguous or secant bored-piled or diaphragm wall, reinforced concrete wall, steel sheet pile wall, soil nailed wall, reinforced earth wall, crib wall, gabions wall, cofferdam, tied-back wall or other types of wall serving the same purpose;

[S 54/2008 wef 15/02/2008]

“service road” means a road required by the competent authority under the Planning Act (Cap. 232);

“Singapore Accreditation Council” means the national authority for accreditation of conformity assessment bodies in Singapore;

[S 709/2017 wef 15/12/2017]

“site formation works” means any kind of site formation and includes earthworks for site stabilisation, the construction of foundations, basements, sub-structures, piling, underpinning, ground anchors, trenches or any other kind of ground works;

[S 54/2008 wef 15/02/2008]

[Deleted by S 665/2013 wef 01/04/2014]

“supervising qualified person” means the qualified person appointed under section 8(1)(b) or 11(1)(d)(ii) of the Act to supervise the carrying out of any building works.

[S 54/2008 wef 15/02/2008]

Geotechnical building works

2A. For the purposes of paragraph (d) in the definition of “geotechnical building works” in the Act, all types of foundation

works for buildings of 30 or more storeys are prescribed as geotechnical building works.

[S 591/2012 wef 01/12/2012]

Application

3.—(1) Subject to paragraph (2), these Regulations shall apply only to building works where an application to the Commissioner of Building Control for approval of the plans of those building works under section 5(1) of the Act is made on or after 1st January 2004.

[S 709/2017 wef 15/12/2017]

(2) Part IVA of these Regulations applies to insignificant building works.

[S 709/2017 wef 15/12/2017]

Insignificant building works

3A. For the purposes of section 4(d) of the Act, insignificant building works are any of the building works specified in the First Schedule.

[S 54/2008 wef 15/02/2008]

[S 709/2017 wef 15/12/2017]

PART II

SUBMISSION AND APPROVAL OF PLANS

Application for approval of plans of building works

4.—(1) For the purposes of section 5(1) of the Act, an application for approval of the plans of building works shall be accompanied by the following documents:

(a) the following plans of the building works prepared in accordance with these Regulations and such other requirements as the Commissioner of Building Control may, from time to time, specify:

- (i) building plans;
- (ii) detailed structural plans and design calculations;
- (iii) site formation plans and pile layout plans;

[S 250/2008 wef 01/10/2008]

(iv) where applicable, civil defence shelter plans;
[S 665/2013 wef 01/04/2014]

(v) where applicable, geotechnical building works plans;
and

[S 250/2008 wef 01/10/2008]

[S 591/2012 wef 01/12/2012]

[S 665/2013 wef 01/04/2014]

(vi) where applicable, demolition works plans;
[S 665/2013 wef 01/04/2014]

(b) a notification signed by the developer of those building works or the builder of the building works of the appointment of the qualified person who prepared the plans of the building works;

[S 54/2008 wef 15/02/2008]

(c) where the written permission of the competent authority is required under the Planning Act (Cap. 232) in respect of any development of land involving the proposed building works, a copy of the notice of grant of written permission issued by the competent authority or a copy of the lodgment receipt in lieu of written permission issued by the competent authority;

[S 709/2017 wef 15/12/2017]

(d) where an application has been made under section 6A(1) of the Act for a waiver or modification of any requirement of these Regulations, a copy of the application;

[S 54/2008 wef 15/02/2008]

(e) where alternative solutions are to be utilised in respect of the building works, a list of the alternative solutions together with the certification of one or more specialists in the alternative solutions referred to in section 9(2)(b)(ii) of the Act, where such certification has been obtained; and

[S 54/2008 wef 15/02/2008]

[S 665/2013 wef 01/04/2014]

(f) such other document as the Commissioner of Building Control may require.

(2) The application for approval of plans and the documents referred to in paragraph (1)(b), (e) and (f) shall be —

- (a) in such form as may be required by the Commissioner of Building Control; and
- (b) accompanied by the appropriate fee specified in the Second Schedule.

[S 54/2008 wef 15/02/2008]

Plans of alterations and additions to buildings

5.—(1) Where any building works consist of repairs, alterations or additions to an existing building and the qualified person who prepared the building plans has reasonable grounds for suspecting that the building works may affect the structural stability or integrity of the building, the building plans referred to in regulation 4 shall bear a certification from an appropriate professional engineer that —

- (a) he has inspected the building and investigated its overall structure; and
- (b) in his opinion, the building is capable or incapable of resisting the forces and moments which may be increased or altered by reason of the repairs, alterations or additions.

(2) Where the qualified person who prepared the building plans referred to in paragraph (1) is a professional engineer in the appropriate discipline, he may provide the certification himself.

Preparation of plans for approval

6. All plans of building works accompanying any application for approval of the plans under section 5(1) of the Act shall be prepared and signed by an appropriate qualified person as determined in accordance with the Third Schedule and shall —

- (a) be produced in a clear and intelligible manner;
- (b) bear a title block in such format as the Commissioner of Building Control may specify together with a project title on the right side of the plan;
- (c) be fully annotated and suitable notations and symbols shall be used to show or distinguish the different types of materials to be used in the building works;

- (d) bear a full description or generic name in any specification of materials or components given or shown on the plans;
- (e) demarcate clearly the new building works from the existing building by suitable markings;
- (f) delineate clearly the building works to be deleted, demolished or removed by suitable markings;
- (g) be numbered serially where the first plan is numbered as 1 of n and the last plan as n of n (n being the total number of pages of the relevant plans); and
- (h) comply with such other requirements as the Commissioner of Building Control may specify.

[S 54/2008 wef 15/02/2008]

Scale of plans

7. All plans of building works shall be drawn to the following scales where submitted in paper form:

- (a) key/location plan — 1:10,000;
- (b) site plan — At least 1:1000; and
- (c) others — At least 1:200.

Particulars to be shown on building plans

8. All building plans shall, where applicable, consist of or contain the following:

- (a) a site plan showing —
 - (i) the location and layout of the site with boundary lines verged in red;
 - (ii) the outline of the building to be erected or building in which building works are to be carried out marked in colour or otherwise;
 - (iii) the north point and the number of the lot and adjoining lots and the Mukim (*MK*) or Town Subdivision (*TS*) number of the lot;

-
-
- (iv) the distance between the new building to be erected or the building works to be carried out and the lot boundary;
 - (v) the retaining wall on the lot;
 - (vi) the existing and proposed platform levels and slopes; and
 - (vii) the ingress and egress to the site;
- (b) the floor plan of each storey including the roof plan of the building containing or showing —
- (i) clear statements indicating the purpose of every room or space in the building;
 - (ii) the types of materials to be used for the main elements of the buildings;
 - (iii) the grid lines or dimensions between columns, corridors, staircase landing and the thickness of walls and columns;
 - (iv) the type of plant, equipment or water tank proposed to be installed and the location of the equipment and every plant room or water tank room;
 - (v) clear statements indicating every part of the building that is to be air-conditioned or mechanically ventilated;
 - (vi) in respect of the first storey, the existing and proposed platform levels of the site and adjoining lots; and
 - (vii) in respect of the first storey, the distance between the new building and the lot boundary; and
- (c) such other details or plans as the Commissioner of Building Control may require.

Particulars to be shown on detailed structural plans and design calculations

9.—(1) Without prejudice to regulations 6 and 7, all detailed structural plans shall —

- (a) be in accordance with the provisions of the Act and these Regulations and any other requirement of the Commissioner of Building Control;
- (b) be signed by the qualified person who prepared the detailed structural plans and design calculations, and by an accredited checker unless the building works are of a type in respect of which the certificate of an accredited checker referred to in section 5(2)(d)(i) of the Act is not required under regulation 12;
[S 54/2008 wef 15/02/2008]
- (c) bear a certificate from the qualified person who prepared and signed the structural plans on the first and last sheets of the plans stating that he has taken into consideration the loads imposed by all the building works as shown in the building plans or any amendment thereto;
- (d) bear a certificate by an accredited checker referred to in section 5(2)(d)(i) of the Act on the first and last sheets of the plans, unless the building works are of a type in respect of which such a certificate is not required under regulation 12;
[S 54/2008 wef 15/02/2008]
- (e) clearly indicate on the respective area of every floor plan, the imposed load for which the floor system or part thereof has been designed;
- (f) show the type or types of foundation to be used;
- (g) contain the specifications of the materials to be used; and
- (h) indicate the fixing and framing details of any external cladding and safety barriers against falling from a height (if applicable).

[S 54/2008 wef 15/02/2008]

(2) The design calculations shall be prepared in such format and manner as the Commissioner of Building Control may require and shall —

- (a) contain a contents page;
- (b) be signed and endorsed by the qualified person who prepared the detailed structural plans and design calculations;

[S 665/2013 wef 01/04/2014]

- (c) bear a certificate by the qualified person who prepared the detailed structural plans and design calculations on the first and last sheets of the calculations stating that, to the best of his knowledge and belief, the design calculations have been prepared in accordance with these Regulations and that he is the person who prepared the design calculations;
- (d) state on the first page of the certificate of the qualified person referred to in sub-paragraph (c) the number of pages per book and a numbering of every page in the book;
- (e) contain a Design Information Sheet giving a summary of the design information including, where applicable, the design loads, codes of practice, assumptions, soil investigation report, foundation system, wind loads and other information relevant to the design in question;
- (f) contain a Structural Summary Sheet showing the structural system, the form of the structure, the key structural elements, the provision for overall stability and structural analysis;
- (g) contain a Grouping of Structural Elements Sheet containing a list of designed structural elements that are similar; and

[S 598/2004 wef 01/10/2004]

- (h) contain an Analysis and Design of Structural Elements Sheet showing the detailed design and calculations of —
 - (i) the foundation;
 - (ii) the shearwall, corewall and all structural elements resisting horizontal forces;

- (iii) the column and all vertical load bearing structural elements;
- (iv) the transfer beams or plates, cantilevers, pre-stressed beams and flat slabs;
- (v) the space truss and portal frame;
- (vi) any shaft, tunnel or connections, or cavern structure;
[S 54/2008 wef 15/02/2008]
- (vii) the retaining walls and supporting structures; and
[S 54/2008 wef 15/02/2008]
- (viii) the overall structural system under wind loads, if applicable.
[S 54/2008 wef 15/02/2008]

(3) Where a computer programme is used in the design calculations —

- (a) the details of the programme including assumptions, limitations and the like shall be explained by the qualified person in his submission; and
- (b) the inputs and outputs from the programme shall be endorsed and submitted by the qualified person and shall form part of the design calculations submitted by him.

(4) The certificates referred to in paragraphs (1)(c) and (d) and (2)(c) shall be in such form as the Commissioner of Building Control may specify.

Particulars to be shown on site formation plans and pile layout plans

10.—(1) Without prejudice to regulations 6 and 7, all site formation plans and calculations shall —

- (a) be in accordance with the provisions of the Act and these Regulations and any other requirement of the Commissioner of Building Control;
- (b) show the contour lines at intervals of 500 mm in height or the spot levels of the existing site and adjoining lands drawn with reference to the ordnance datum;

-
-
- (c) show the location of the site formation works;
 - (d) show the finished formation levels, including platform level for the building or buildings and the finished road levels;
 - (e) show the slope of any excavation or filling exceeding 1500 mm in depth; and
 - (f) show the means of protecting the site formation works against erosion, earthslip, slope failure or instability.
- (2) The pile layout plans shall show —
- (a) the types of piles and the specification of materials to be used;
 - (b) the location of piles and site investigation boreholes;
[S 54/2008 wef 15/02/2008]
 - (c) the estimated pile penetration depth for each design zone;
[S 54/2008 wef 15/02/2008]
 - (d) the minimum embedded pile length into competent stratum, where applicable;
[S 54/2008 wef 15/02/2008]
 - (e) the unit skin friction and unit end bearing resistance for pile designs;
[S 54/2008 wef 15/02/2008]
 - (f) the allowable pile bearing capacity before and after deduction of negative skin friction (if applicable) and details of pile joints;
[S 54/2008 wef 15/02/2008]
 - (g) the allowable total and differential foundation settlement;
[S 54/2008 wef 15/02/2008]
 - (h) the allowable vibration limit during pile installation; and
[S 54/2008 wef 15/02/2008]
 - (i) the sectional details of piles and number and type of pile load tests and the location of ultimate pile load tests.
[S 54/2008 wef 15/02/2008]

Particulars to be shown in geotechnical building works plans

10A.—(1) The geotechnical building works plans referred to in regulation 4(1)(a) shall consist of or contain the following, where applicable:

- (a) plans of any tunnelling support system;
- (b) plans of any excavation and earth retaining structures;
- (ba) plans for constructing or stabilising any slope;
[S 591/2012 wef 01/12/2012]
- (c) plans of the foundation;
- (d) instrumentation and monitoring plans.
[S 591/2012 wef 01/12/2012]

(2) Without prejudice to regulations 6, 7 and 8, all geotechnical building works plans shall —

- (a) be in accordance with the provisions of the Act and these Regulations and any other requirement of the Commissioner of Building Control;
- (b) be signed and endorsed by the qualified person who prepared the plans and calculations, and by the appropriate accredited checker;
- (c) bear a certificate by the qualified person who prepared the plans on the first and last sheets of the calculations stating that, to the best of his knowledge and belief, the design calculations have been prepared in accordance with these Regulations and that he is the person who prepared the design calculations;
- (d) state on the first page of the certificate of the qualified person referred to in sub-paragraph (c) the number of pages per book and a numbering of every page in the book;
- (e) be accompanied by an Information Sheet giving a summary of the key design and construction information including, where applicable, load conditions, codes of practice, assumptions, earth-retaining system, tunnel support system, foundation system, and other

information relevant to the design and construction in question;

- (f) be accompanied by an impact assessment report on neighbouring structures and a site investigation report;
- (g) be accompanied by a geotechnical report which shall contain —
 - (i) a summary to highlight the key elements of the design and the issues addressed;
 - (ii) evaluation and interpretation of existing information and investigation and monitoring results;
 - (iii) assessment of geotechnical parameters and groundwater conditions;
 - (iv) geotechnical assumptions, analysis, design and calculations;
 - (v) geotechnical requirements relating to the design and construction of the geotechnical building works including testing, validating, controlling, inspecting and monitoring;
 - (vi) geotechnical reviews; and
 - (vii) any other details as the Commissioner of Building Control may require; and
- (h) be accompanied by such other reports as the Commissioner of Building Control may require.

[S 591/2012 wef 01/12/2012]

(3) The plans of a tunnel support system for the design and construction of any tunnel with diameter, width or height of more than 2 metres shall contain, where applicable —

- (a) layout, sections and details of all excavation and tunnel support works showing —
 - (i) subsurface information including plan showing layout of investigation boreholes and subsurface profile along each tunnel axis;

-
-
- (ii) maximum depth, and extent of excavation at each stage including heading, bench and invert;
 - (iii) face pressure and other key performance indicators for ensuring stability of tunnel during construction;
 - (iv) location of planned stoppages and necessary ground improvement and monitoring details; and
 - (v) profile and the nature of the site and its surrounds including ground topography, neighbouring structures, subsurface geological and geotechnical data, and groundwater conditions;
- (b) layout, sections, details and material specifications of tunnel support elements and structures, tunnel face support system and overall tunnel support system and other structural elements showing types, sizes and material specifications of members to be used and the connection details;
- (c) layout, sections and details of earth or ground strengthening, improvement or protection works including layout, sections and sizes of all elements, material specifications, details of inspections and tests to be carried out;
- (d) method and sequence of construction including duration and spatial limits of critical activities;
- (e) details of inspections and tests to be carried out;
- (f) details of any special precautions, groundwater control measures, control and protective measures required during excavation, installation and removal of any tunnel support element;
- (g) other specifications and relevant particulars; and
- (h) such other details as the Commissioner of Building Control may require.
- (4) The plans of any excavation and earth retaining structures, or plans for constructing or stabilising any slope, in relation to any geotechnical building works shall contain, where applicable —

-
-
- (a) layout, sections and details of all excavation and earth retaining works showing —
 - (i) subsurface information including plan showing layout of investigation boreholes and surface profile along and across the excavation boundary;
 - (ii) maximum depth, and extent of excavation at each stage; and
 - (iii) profile and the nature of the site and its surrounds including ground topography, neighbouring structures, subsurface geological and geotechnical data, and groundwater conditions;
 - (b) layout, sections, details and material specifications of earth retaining elements and structures, wall elevation showing the wall founding depth or penetration depth or minimum wall embedment requirement, and overall retaining system;
 - (c) layout, sections and details of struts, anchors, soil nails, walers, king posts, bracings, corbels and other structural elements showing types, sizes and material specifications of members to be used, connection details, and where appropriate, inspections and tests to be carried out;
 - (d) layout and sections of earth berms or slope showing type of soils, size and location of berms, internal and external drainage provisions and protection measures including against surface weathering;
 - (e) layout, sections and details of earth or ground strengthening, improvement or protection works including layout, sections and sizes of all elements, material specifications, details of inspections and tests to be carried out;
 - (f) layout, sections and details of permanent support system to the earth retaining system showing details of lateral bracing element, and connection details;

-
-
- (g) method and sequence of construction including duration and spatial limits of critical activities;
 - (h) details of inspections and tests to be carried out;
 - (i) details of any special precautions, groundwater control measures, control and protective measures required during excavation, and installation and removal of any earth retaining element;
 - (j) other specifications and relevant particulars; and
 - (k) such other details as the Commissioner of Building Control may require.

[S 591/2012 wef 01/12/2012]

(5) The foundation plans for the design and construction of foundation for buildings of 30 or more storeys shall contain, where applicable —

- (a) the layout, sections and details of all foundation works showing —
 - (i) types of piles or foundation and specification of material to be used;
 - (ii) location of piles or foundation and site investigation boreholes;
 - (iii) pile or foundation founding depth or pile minimum embedment into competent stratum for each pile or foundation;
 - (iv) unit shaft friction, pile base resistance or foundation bearing pressure;
 - (v) allowable foundation capacity before and after accounting for negative skin friction where applicable, allowable tension, and lateral load;
 - (vi) details of pile reinforcements, pile joints, connection with pilecap, pile shops;
 - (vii) allowable total and differential foundation movement; and
 - (viii) allowable vibration limit; and

- (b) the number, type of pile or foundation tests, structural integrity tests and location of preliminary test pile or ultimate load tests and site investigation for the tests.
- (6) The instrumentation and monitoring plans shall contain, where applicable —
- (a) layout and location of neighbouring structures in relation to the geotechnical building works;
[S 591/2012 wef 01/12/2012]
 - (b) numbers, types, locations, details and other particulars of instruments for monitoring forces and movement of structural elements, building and ground movements, and variations in the groundwater or piezometric levels;
 - (c) frequency and duration of monitoring;
 - (d) allowable ground or building movement limits;
 - (e) allowable vibration limits;
 - (f) where applicable, long-term instrumentation, monitoring and maintenance requirements;
 - (g) other specifications and relevant particulars; and
 - (h) such other details as the Commissioner of Building Control may require.
[S 250/2008 wef 01/10/2008]

Particulars to be shown in demolition works plans

10B.—(1) The demolition works plans referred to in regulation 4(1)(a)(vi) shall consist of or contain such of the following as may be applicable:

- (a) demolition plans;
 - (b) instrumentation and monitoring plans.
- (2) Without prejudice to regulations 6, 7, 8 and 9, all demolition works plans shall —
- (a) be in accordance with the provisions of the Act and these Regulations and any other requirement of the Commissioner of Building Control; and

-
-
- (b) be accompanied by —
- (i) an impact assessment report on neighbouring structures, which shall include design calculations showing the stability and adequacy of every structural element the structural continuity of which is to be truncated by the demolition works;
 - (ii) design calculations showing that the floor is capable of resisting —
 - (A) the load from the debris; or
 - (B) where a demolition machine is intended to be placed on the floor of the building in accordance with the demolition works plans, the load from the demolition machine and the debris; and
 - (iii) such reports as the Commissioner of Building Control may require.

(3) Each demolition plan shall contain such of the following as may be applicable:

- (a) the location and site plan of the building to be demolished, which includes the distances between the building to be demolished and adjacent buildings which are not to be demolished;
- (b) structural floor plans showing —
 - (i) in respect of each area of each floor plan, the imposed load for which the floor system or part thereof has been designed;
 - (ii) the demolition sequence and demolition zone for each floor;
 - (iii) the method statement on the handling and disposal of debris;
 - (iv) the type and weight of the demolition machine; and
 - (v) the location of the temporary ramp;

-
-
- (c) a layout plan showing the demolition sequence of —
- (i) all beams;
 - (ii) all columns;
 - (iii) all walls;
 - (iv) all slabs; and
 - (v) all edge parapets;
- (d) the following information on safety and environmental protection measures:
- (i) layout plan, details, material specifications and elevation view of shoring and temporary supports;
 - (ii) layout plan, details and material specifications of protective hoardings, covered walkways, catch platform, catch fans, scaffolding, protective screens and safety nets;
 - (iii) where a demolition machine is used, the route of safe movement of the demolition machine;
 - (iv) where a continuous beam extends from the building to be demolished to an adjacent building and the beam is to be cut off at the boundary of the buildings, the anchorage detail of the existing reinforcement bars of the beam where it is to be cut off.
- (4) Each instrumentation and monitoring plan shall contain such of the following as may be applicable:
- (a) the layout and location of other buildings (that are not to be demolished) in relation to the building to be demolished;
 - (b) the number, types, location, details and other particulars of instruments for monitoring building and ground movements;
 - (c) the frequency and duration of monitoring;
 - (d) allowable vibration limits;

- (e) the location of closed-circuit television cameras to monitor the progress of the demolition work, especially for demolition of high-rise buildings.

[S 665/2013 wef 01/04/2014]

Particulars to be shown on civil defence shelter plans

11.—(1) The civil defence shelter plans referred to in regulation 4(1)(a)(iv) shall consist of —

- (a) civil defence shelter building plans;
- (b) civil defence shelter structural plans; and
- (c) in the case of public shelters —
 - (i) civil defence shelter mechanical plans;
 - (ii) civil defence shelter electrical plans; and
 - (iii) civil defence shelter shock design plans.

(2) Without prejudice to regulations 6 and 7, all civil defence shelter plans shall —

- (a) be signed by the qualified person who prepared the plans;
- (b) bear a certificate from the qualified person on the first and last sheets of the plans stating that the plans have been prepared in accordance with these Regulations and comply with the relevant technical requirements under the Civil Defence Shelter Act (Cap. 42A); and
- (c) be accompanied by design calculations and the relevant technical documents showing the details of the mounting brackets, expansion anchor bolts and shock isolators, where applicable.

(3) All design calculations shall be signed by the qualified person who prepared the calculations and bear a certificate referred to in paragraph (2)(b) on the first and last sheets of the calculations.

(4) The civil defence shelter building plans of a household or storey shelter shall contain —

- (a) a site plan;

-
-
- (b) the floor plans, sections and elevations showing —
- (i) the shelter type, gross floor area of each dwelling type and size and number of each type;
 - (ii) the location and layout in relation to the overall building with the outline of the shelters marked; and
 - (iii) the setback distances of shelter walls and shelter dimensions;
- (c) the details showing the location of the blast door, ventilation openings and fixtures such as power-points, lighting points, telephone points and radio and television antenna outlets in the shelter;
- (d) the schematic details showing the routing and penetration of service conduits in the shelter; and
- (e) such other details as the Commissioner of Building Control may require.
- (5) The civil defence shelter building plans of a public shelter shall contain floor plans, sections and elevations showing —
- (a) the bounds of protection;
 - (b) the details, layout and dimensions of the main shelter area, auxiliary areas, plant rooms, generator room, water tanks (including their capacity), air locks, access ways, entrances and exits;
 - (c) the locations and overall dimensions of protective blast doors, hatches, blast valves, sealing devices, louvres and gas-tight doors; and
 - (d) such other details as the Commissioner of Building Control may require.
- (6) The civil defence shelter structural plans of a household shelter or storey shelter shall contain —
- (a) the floor plans indicating the shelter;

-
-
- (b) the vertical and horizontal sections through the shelter tower and an indication of the structural dimensions and reinforcement details;
 - (c) the cross sectional details of openings such as the blast door opening, ventilation openings and services penetrations; and
 - (d) such other details as the Commissioner of Building Control may require.
- (7) The civil defence shelter structural plans of a public shelter shall contain —
- (a) pile layout plans showing —
 - (i) the types of piles;
 - (ii) the location of piles; and
 - (iii) the column loads including collapse load;
 - (b) structural plans showing —
 - (i) the floor plans indicating the public shelter;
 - (ii) the details of structural elements with sections;
 - (iii) the imposed loading for the structural floor system;
 - (iv) the details of reinforcement around openings for doors, hatches, ventilation and services penetrations;
 - (v) the specification of materials;
 - (vi) the types of foundation, where applicable; and
 - (vii) the minimum allowable soil bearing capacity, where applicable; and
 - (c) such other details as the Commissioner of Building Control may require.
- (8) The civil defence shelter mechanical plans of a public shelter shall contain —
- (a) the air-conditioning and mechanical ventilation plans;
 - (b) the water supply and reticulation plans;

-
-
- (c) the sanitary and drainage plans; and
- (d) such other details as the Commissioner of Building Control may require.
- (9) The civil defence shelter electrical plans of a public shelter shall contain —
- (a) the power and lighting plans;
- (b) the communications plans;
- (c) the generator system plans; and
- (d) such other details as the Commissioner of Building Control may require.
- (10) The civil defence shelter shock design plans of a public shelter shall contain —
- (a) the shock design plans;
- (b) the calculations for the support system of every architectural fixture and mechanical and electrical equipment and services; and
- (c) such other details as the Commissioner of Building Control may require.
- (11) The certificate referred to in paragraph (2)(b) shall be in such form as the Commissioner of Building Control may specify.

Minor building works

12. The building works specified in the Fourth Schedule are building works the plans of which do not require a certification from an accredited checker for the purposes of section 5 or 5A of the Act.
[S 54/2008 wef 15/02/2008]

Non-acceptance of application for approval of plans

13. The Commissioner of Building Control may refuse to accept an application for approval of any plans of building works if —

(a) the application or the plans of building works submitted do not comply with any requirement of the Act or these Regulations;

- (b) the application is not complete or not in accordance with any other requirement of the Commissioner of Building Control; or
- (c) the appropriate fee specified in the Second Schedule has not been paid.

[S 54/2008 wef 15/02/2008]

Approval of plans

14.—(1) Where the Commissioner of Building Control approves any plans of building works under section 5(3)(a) of the Act, he shall notify the developer of the building works and the qualified person who prepared and submitted those plans of his approval and of the terms and conditions, if any, subject to which the approval has been granted.

[S 54/2008 wef 15/02/2008]

(2) For the avoidance of doubt, no approval of any plans of building works under section 5(3)(a) of the Act shall be taken to —

- (a) confer any title to land;
- (b) act as a waiver of any term in any lease or licence;
- (c) grant any exemption from or permit any contravention of any provision of these Regulations; or
- (d) waive or modify the application of these Regulations to those building works where no such waiver or modification has been granted under section 6A(1) of the Act in relation to the building works.

[S 54/2008 wef 15/02/2008]

Disapproval of plans

15. Where the Commissioner of Building Control disapproves any plans of building works under section 5(3)(c) of the Act, he shall notify the developer of the building works and the qualified person who prepared and submitted those plans.

[S 54/2008 wef 15/02/2008]

[S 709/2017 wef 15/12/2017]

Return of disapproved or withdrawn plans

16.—(1) Where any plans of building works have been disapproved, the Commissioner of Building Control may return the disapproved plans to the qualified person.

(2) Where any plans have been withdrawn by the qualified person or developer before or after approval, the Commissioner of Building Control may return the plans to the qualified person or developer, as the case may be.

[S 54/2008 wef 15/02/2008]

(3) Where the Commissioner of Building Control has notified a qualified person or developer to collect any plans (whether on paper or in electronic form) that are to be returned under paragraph (1) or (2), and such plans are not collected within one month from the date of the notice, the Commissioner of Building Control may destroy or dispose of the plans (including the medium in which they are stored) in any way he thinks fit.

[S 54/2008 wef 15/02/2008]

No refund of fees

17. The fees paid to the Commissioner of Building Control under these Regulations shall not be refunded if the application is withdrawn at any time or disapproved or deemed to be disapproved under section 5(4) of the Act.

[S 54/2008 wef 15/02/2008]

Amendment and record plans of building works

18.—(1) Where it is desired that any building works deviate from the approved plans of those building works, an application shall be made to the Commissioner of Building Control under section 5A(1) of the Act and shall, without prejudice to that section, be accompanied by the amended plan of the buildings works showing clearly the departures or deviations.

[S 54/2008 wef 15/02/2008]

(2) Where the deviations involve material changes to the structural design, the qualified person appointed under section 8(1)(a) or 11(1)(d)(i) of the Act and, in the case of major building works, the accredited checker shall submit the structural plans and design

calculations to the Commissioner of Building Control for approval before construction.

[S 54/2008 wef 15/02/2008]

(2A) Where the deviations involve material changes to building works other than the structural design, the qualified person appointed under section 8(1)(a) or 11(1)(d)(i) of the Act shall submit the building plans to the Commissioner of Building Control for approval before construction.

[S 665/2013 wef 01/04/2014]

(3) Notwithstanding paragraph (1), where the departures or deviations involve immaterial changes to the structural design, the qualified person appointed under section 8(1)(a) or 11(1)(d)(i) shall only be required to prepare and submit to the Commissioner of Building Control —

- (a) the record plans;
- (b) his certificate stating that to the best of his knowledge and belief the departures or deviations do not affect the structural adequacy or stability of the building;
- (c) a certificate from an accredited checker stating that to the best of his knowledge and belief, the record plans do not show any inadequacy in key structural elements of the building to be erected or affected by building works carried out in accordance with those plans; and
- (d) on the completion of the building works, a report stating the departures and deviations accompanied by the detailed structural plans and design calculations showing such departures and deviations.

[S 54/2008 wef 15/02/2008]

[S 665/2013 wef 01/04/2014]

(3A) Notwithstanding paragraph (1), where the departures or deviations involve immaterial changes to building works other than the structural design, the qualified person appointed under section 8(1)(a) or 11(1)(d)(i) of the Act shall only be required to prepare and submit to the Commissioner of Building Control —

- (a) the record plans;

- (b) his certificate stating that to the best of his knowledge and belief, the departures or deviations —
- (i) have been completed in accordance with the provisions of the Act and these Regulations; and
 - (ii) do not affect the objectives and performance requirements set out in the Fifth Schedule relating to the approved plans; and
- (c) such other certificate or document as may be required by the Commissioner of Building Control.

[S 665/2013 wef 01/04/2014]

(4) The qualified person appointed under section 8(1)(a) or 11(1)(d)(i) of the Act shall keep and maintain a record of all departures and deviations relating to the structural elements of the building works.

[S 54/2008 wef 15/02/2008]

(5) The certificates referred to in paragraphs (3)(b) and (c) and (3A)(b) and (c) shall be in such form as the Commissioner of Building Control may specify.

[S 665/2013 wef 01/04/2014]

(6) Every application under section 5A(1) of the Act must be accompanied by the appropriate fee specified in the Second Schedule.

[S 443/2017 wef 10/09/2017]

Validity period of approval

19. For the purposes of section 5B(1)(c) of the Act, the approval of any plans of building works granted by the Commissioner of Building Control shall lapse if the building works are not commenced within 24 months from the date of approval.

[S 54/2008 wef 15/02/2008]

Application for modification or waiver of building regulations

20.—(1) Where any proposed building works shown in any plans do not comply with the provisions of these Regulations relating to the design and construction of buildings, the developer or an appropriate qualified person appointed by him shall make an application under section 6A(1) of the Act.

[S 54/2008 wef 15/02/2008]

(2) For the purposes of section 6A(2) of the Act, any such application shall be accompanied by a declaration signed by an appropriate qualified person stating every item of the building works shown in the plans that does not comply with the provisions of these Regulations relating to design and construction.

[S 54/2008 wef 15/02/2008]

(3) Every application under section 6A(1) of the Act shall be accompanied by the appropriate fee specified in the Second Schedule.

[S 549/2005 wef 01/09/2005]

[S 54/2008 wef 15/02/2008]

Permit to carry out structural works

21.—(1) An application for a permit to carry out any structural works (including piling or site formation works or the demolition of a building) under section 6(1) of the Act shall be in such form as the Commissioner of Building Control may require.

[S 54/2008 wef 15/02/2008]

(2) Where any part of a building under construction or undergoing alteration is to be demolished, no separate permit for the demolition works shall be required.

(3) For the purposes of section 6(2)(e) of the Act, an application for a permit to carry out any demolition of a building shall be accompanied by —

(a) a method statement detailing how the demolition works are to be carried out; and

(b) an impact assessment report on surrounding buildings.

[S 54/2008 wef 15/02/2008]

(4) For the purposes of section 6(2)(e) of the Act, an application for a permit to carry out any piling or site formation works shall be accompanied by —

(a) an impact assessment report on surrounding buildings and other structures; and

(b) a notification specifying the date of commencement of the piling or site formation works.

[S 54/2008 wef 15/02/2008]

PART III

DUTIES OF QUALIFIED PERSONS, SITE SUPERVISORS AND BUILDERS DURING CONSTRUCTION

Site records

22. For the purposes of section 9(4)(d) of the Act, the supervising qualified person appointed in respect of any building works shall keep and maintain at the premises on which the building works are carried out the following documents, books and records:

(a) for major building works, a schedule of the structural works to be carried out every 3 months, specifying, in particular, the excavation, installation, testing, removal, construction or fabrication of the key structural elements in the structural works;

[S 54/2008 wef 15/02/2008]

(b) a record of attendance of the qualified person and the site supervisor;

(c) a site record book;

(d) a copy of the approved structural plans including all amendments thereto;

(e) a record of all the departures or deviations relating to the structural elements of the building works as provided by the qualified person appointed under section 8(1)(a) or 11(1)(d)(i) of the Act;

[S 54/2008 wef 15/02/2008]

(f) a record of inspection and approval for concreting;

(g) a record of repairs to defective structural works;

(h) a site investigation report;

[S 54/2008 wef 15/02/2008]

(i) a record of piles installed;

(j) a record of pile load tests;

(k) a record of tests on cement, sand and aggregates;

(l) a record of concrete cube tests;

(m) a record of tests on steel reinforcements;

-
-
- (n) a record of tests on pre-stressing steel;
- (o) a record of pre-stressing works;
- (p) a record of tests on welding works and all welders' certificates;
[S 54/2008 wef 15/02/2008]
- (q) a record of ground anchor, soil nails or rock bolt tests and, where applicable, stressing loads;
[S 54/2008 wef 15/02/2008]
- (r) a record of inspection and approval at each of the following stages of the building works: excavation, installation, construction and removal stage of the building works;
[S 54/2008 wef 15/02/2008]
- (s) a record of inspection and approval for strut, soil nails, rock bolts, or anchor during installation and removal;
[S 54/2008 wef 15/02/2008]
- (t) a record of instrumentation and monitoring reports;
[S 54/2008 wef 15/02/2008]
- (u) a record of actions taken where monitoring results of earth-retaining wall deflection or adjacent ground settlements exceed the allowable limits or where damages occur in the neighbouring properties;
[S 54/2008 wef 15/02/2008]
- (v) a record and test results of earth or ground improvement or strengthening works;
[S 54/2008 wef 15/02/2008]
- (w) a record of tests on fixings of external claddings and safety barriers against falling from a height;
[S 54/2008 wef 15/02/2008]
- (x) the mill certificates and test results for structural steel sections; and
[S 54/2008 wef 15/02/2008]
- (y) a record of all other tests of or in connection with the building works.
[S 54/2008 wef 15/02/2008]

Submission of progress reports and certificates

23.—(1) For the purposes of section 9(4)(e) of the Act, the supervising qualified person appointed in respect of any building works shall prepare and submit the following reports and certificates relating to the building works at the corresponding times or intervals of the building works, where applicable:

(a) [*Deleted by S 54/2008 wef 15/02/2008*]

(b) [*Deleted by S 54/2008 wef 15/02/2008*]

(c) a notice of completion of all piling works carried out, a record plan showing full details of the piling works and a certificate of supervision of those piling works within 28 days of completion of those piling works;

(d) on completion of all building works, his certificate stating that the building works have been carried out under his supervision; and

(e) within 14 days of his ceasing to carry out his duties under the Act, a summary report of all those building works which have been carried out under his supervision and a certificate of such supervision.

[*S 54/2008 wef 15/02/2008*]

(2) The certificates referred to in paragraph (1)(c), (d) and (e) shall be in such form as the Commissioner of Building Control may require.

Large and small-scale building works

23A.—(1) Any building works the value of which is more than \$7.5 million shall be large building works for the purposes of section 7(1)(b) of the Act.

[*S 643/2008 wef 18/12/2008*]

(2) Any building works the value of which is not more than \$7.5 million are small-scale building works for the purposes of section 7(1)(c) of the Act.

[*S 54/2008 wef 15/02/2008*]

[*S 643/2008 wef 18/12/2008*]

Site supervisors

24.—(1) For the purposes of section 10(1)(a) of the Act, the team of site supervisors appointed in respect of the structural elements of any large building works shall comprise the following number of persons:

- (a) where the value of the large building works is more than \$7.5 million but not exceeding \$15 million — one site supervisor who is a resident technical officer;

[S 643/2008 wef 18/12/2008]

- (b) where the value of the large building works is more than \$15 million but not exceeding \$30 million —

- (i) one site supervisor who is a resident engineer; or
 (ii) one site supervisor who is a resident technical officer, if the building works are at the stage when they comprise ancillary works, external works or ancillary and external works;

[S 709/2017 wef 15/12/2017]

- (c) where the value of the large building works is more than \$30 million but not exceeding \$75 million —

- (i) 2 site supervisors, one of whom must be a resident engineer and the other must be a resident technical officer;
 (ii) one site supervisor who is a resident engineer, if —
 (A) the building works are at the stage when they comprise only piling and foundation works; or
 (B) the building works are at least 80% completed as measured by gross floor area; or

- (iii) one site supervisor who is a resident technical officer, if the building works are at the stage when they comprise ancillary works, external works or ancillary and external works;

[S 709/2017 wef 15/12/2017]

- (d) where the value of the large building works is more than \$75 million but not exceeding \$150 million —

-
-
- (i) 3 site supervisors, one of whom must be a resident engineer and the other 2 must each be a resident technical officer;
 - (ii) 2 site supervisors, one of whom must be a resident engineer and the other must be a resident technical officer, if —
 - (A) the building works are at the stage when they comprise only piling and foundation works; or
 - (B) the building works are at least 80% completed as measured by gross floor area; or
 - (iii) one site supervisor who is a resident technical officer, if the building works are at the stage when they comprise ancillary works, external works or ancillary and external works;
- [S 709/2017 wef 15/12/2017]*
- (e) where the value of the large building works is more than \$150 million —
 - (i) 5 site supervisors, 2 of whom must each be a resident engineer and the other 3 must each be a resident technical officer;
 - (ii) 6 site supervisors, one of whom must be a resident engineer and the other 5 must each be a resident technical officer;
 - (iii) if the building works are at the stage when they comprise only piling and foundation works —
 - (A) 3 site supervisors, 2 of whom must each be a resident engineer and the other must be a resident technical officer; or
 - (B) 4 site supervisors, one of whom must be a resident engineer and the other 3 must each be a resident technical officer;
 - (iv) 2 site supervisors, one of whom must be a resident engineer and the other must be a resident technical

officer, if the building works are at least 80% completed as measured by gross floor area; or

- (v) one site supervisor who is a resident technical officer, if the building works are at the stage when they comprise ancillary works, external works or ancillary and external works.

[S 709/2017 wef 15/12/2017]

(2) For the purposes of section 10(3)(a) of the Act, no person shall be appointed as a site supervisor in respect of any building works unless he is a resident technical officer or a resident engineer.

(3) For the purposes of section 10(3)(b) of the Act, the Joint Accreditation Committee of the Institution of Engineers Singapore (IES) and the Association of Consulting Engineers Singapore (ACES) is the organisation to which a person must be and remain accredited with in order to be appointed as a site supervisor in respect of any building works.

(4) In this regulation —

“Building and Construction Authority Academy” has the same meaning as in the Building and Construction Authority (Registration of Construction Personnel) Regulations 2008 (G.N. No. S 642/2008);

[S 665/2013 wef 01/04/2014]

“resident engineer” means any person who —

- (a) is a professional engineer in the civil or structural engineering discipline registered under the Professional Engineers Act (Cap. 253);
- (b) possesses a university degree or any other professional qualification recognised by the Professional Engineers Board for registration as a professional engineer under the Professional Engineers Act in the civil or structural engineering discipline;
- (c) possesses a postgraduate master’s degree or doctoral degree in Civil Engineering or Structural

Engineering from any university recognised by the Professional Engineers Board for registration as a professional engineer under the Professional Engineers Act (Cap. 253);

- (d) is a Chartered Engineer registered by the Engineering Council United Kingdom in the Civil Engineering or Structural Engineering discipline;
- (e) possesses a university degree in Civil Engineering or Structural Engineering from any university that is specified by the Commissioner of Building Control in the list that is —
- (i) obtainable from his office at the Building and Construction Authority, 52 Jurong Gateway Road #11-01, Singapore 608550; and
[S 709/2017 wef 15/12/2017]
 - (ii) available in the Internet website of the Building and Construction Authority at <http://www.bca.gov.sg>,

and has at least one year of relevant postgraduate practical experience in design or construction of structural works as may be acceptable to the Commissioner of Building Control; or

- (f) possesses such other qualification and period of practical experience as the Commissioner of Building Control may determine, being a qualification and practical experience that is substantially equivalent to any qualification and practical experience referred to in paragraphs (a) to (e);

“resident technical officer” means any person who —

- (a) possesses a degree from any local university or a diploma from any local polytechnic in Civil Engineering or Structural Engineering;
- (b) possesses a diploma in any construction-related field from any local polytechnic or the Building and

Construction Authority Academy, and has at least one year of such relevant practical experience in full-time supervision of structural works in construction sites in Singapore as may be acceptable to the Commissioner of Building Control;

[S 665/2013 wef 01/04/2014]

- (c) possesses a diploma or higher certificate from any foreign polytechnic in Civil Engineering or Structural Engineering and has at least 2 years of such relevant practical experience in full-time supervision of structural works in construction sites as may be acceptable to the Commissioner of Building Control;

[S 709/2017 wef 15/12/2017]

- (d) *[Deleted by S 665/2013 wef 01/04/2014]*

- (e) possesses a degree from any foreign university in Civil Engineering or Structural Engineering and has at least 2 years of such relevant practical experience in full-time supervision of structural works in construction sites as may be acceptable to the Commissioner of Building Control;

[S 709/2017 wef 15/12/2017]

- (f) possesses a National Certificate on Construction Supervision (NCCS) from the Building and Construction Authority Academy and has at least one year of such relevant practical experience in full-time supervision of structural works in construction sites in Singapore as may be acceptable to the Commissioner of Building Control; or

[S 665/2013 wef 01/04/2014]

- (g) possesses such other qualification and period of post-qualification practical experience in full-time supervision of structural works in construction sites as the Commissioner of Building Control may determine, being a qualification and practical experience that is substantially equivalent to any

qualification and practical experience referred to in paragraphs (a) to (f).

[S 54/2008 wef 15/02/2008]

[S 665/2013 wef 01/04/2014]

(5) For the purposes of paragraph (1), a reference to any ancillary works, external works or ancilliary and external works, as the case may be, includes a reference to any construction of any external cladding, safety barrier, covered walkway or detached single storey building.

[S 709/2017 wef 15/12/2017]

Duties of qualified persons regarding geotechnical building works

24A.—(1) Every qualified person appointed under section 8(1)(a) or 11(1)(d)(i) of the Act to prepare the plans of geotechnical aspects of geotechnical building works shall carry out the tasks set out in Part I of the Eighth Schedule.

[S 591/2012 wef 01/12/2012]

(2) Every supervising qualified person appointed in respect of the geotechnical aspects of geotechnical building works shall carry out the tasks set out in Part II of the Eighth Schedule.

[S 250/2008 wef 01/10/2008]

[S 591/2012 wef 01/12/2012]

Change of builder

25. If any builder is unwilling or unable to carry out his duties, his notification given under section 11(4) of the Act to the Commissioner of Building Control shall be accompanied by a summary report describing the building works completed by him and his certificate of completion in such form as the Commissioner of Building Control may require.

[S 54/2008 wef 15/02/2008]

PART IV
DESIGN AND CONSTRUCTION

Compliance with design and construction requirements

26. Subject to the Act and regulation 27, all buildings shall be designed and all building works shall be carried out in compliance with the objectives and performance requirements set out in the Fifth Schedule and any other requirement in these Regulations.

Acceptable solutions

27.—(1) The Commissioner of Building Control may issue, in such form as he thinks fit, and from time to time amend, one or more Approved Documents setting out the specifications, materials, designs or methods of construction (referred to in these Regulations as acceptable solutions) which shall, without prejudice to any alternative means of achieving compliance, be deemed to comply with the relevant objectives and performance requirements set out in the Fifth Schedule for the design and construction of buildings or endorse, in whole or in part, any document for use in establishing compliance with the requirements of these Regulations.

(2) The plans of any building works that are prepared in accordance with the acceptable solutions and any building works carried out in accordance with the acceptable solutions shall be deemed to comply with the relevant objectives and performance requirements set out in the Fifth Schedule.

Civil defence shelters

28. Where any building is required to be provided with a household shelter, public shelter or storey shelter under the Civil Defence Shelter Act (Cap. 42A), the shelter shall be designed and constructed in accordance with the following applicable technical codes issued by the Commissioner of Civil Defence under section 14 of that Act:

- (a) Technical Requirements for Household Shelters;
- (aa) Technical Requirements for Storey Shelters;
[S 709/2017 wef 15/12/2017]
- (b) Technical Requirements for S1-S5 Public Shelters;

- (c) Technical Requirements for S6-S9 Public Shelters;
[S 709/2017 wef 15/12/2017]
- (d) Technical Requirements for S10-S29 Public Shelters;
[S 709/2017 wef 15/12/2017]
- (e) CD Shelter Requirements for MRT Stations.
[S 709/2017 wef 15/12/2017]

Lifts and escalators

29.—(1) No person shall, without the permission of the Commissioner of Building Control, install any lift or escalator in any building.

[S 709/2017 wef 15/12/2017]

(2) The Commissioner of Building Control may grant permission to a person to install a lift or an escalator in a building subject to such terms and conditions as he thinks fit to impose and such terms and conditions shall be complied with by that person.

[S 709/2017 wef 15/12/2017]

[S 709/2017 wef 15/12/2017]

Protective hoardings

30.—(1) Where —

- (a) any builder appointed under section 8(1) of the Act intends to —
 - (i) erect or demolish any building;
 - (ii) alter or repair an outer part of any building;
 - (iii) carry out any foundation works or basement excavation including any temporary retaining works; or
 - (iv) carry out any site formation works; and
- (b) such works are likely to cause obstruction or inconvenience to or endanger members of the public,

the builder shall, before commencing such works, erect or cause to be erected protective hoardings or other similar temporary structures of solid and robust construction to the satisfaction of the Commissioner of Building Control in order to separate the building or the entire site

where such works are intended to be carried out from a street, footway or any adjoining or adjacent property.

(2) Where the building under construction, demolition, alteration or repair is more than one storey in height and abuts or is near a street or other buildings, the builder shall provide catch platforms, safety nettings and other measures for the safety of the public.

[S 709/2017 wef 15/12/2017]

(3) The builder must, in relation to —

(a) the protective hoardings and other similar temporary structures mentioned in paragraph (1); and

(b) the catch platforms, safety nettings and other measures for the safety of the public mentioned in paragraph (2),

comply with regulation 20 of the Building Control (Temporary Buildings) Regulations 2018 (G.N. No. S 807/2018).

[S 808/2018 wef 01/03/2019]

(4) The builder must, within such time as may be specified by the Commissioner of Building Control, take such steps, precautions or safety measures as required by the Commissioner of Building Control in relation to a protective structure and must do so to the satisfaction of the Commissioner of Building Control.

[S 808/2018 wef 01/03/2019]

(5) On completion of the building works, the builder must remove or cause to be removed all protective structures erected for the building works, to the satisfaction of the Commissioner of Building Control.

[S 808/2018 wef 01/03/2019]

(6) In this regulation, “protective structure” means a protective hoarding (and footways, if any) or other similar temporary structure mentioned in paragraph (1) or a catch platform, safety netting and other safety measure mentioned in paragraph (2).

[S 808/2018 wef 01/03/2019]

Site investigation

31.—(1) Where foundation, tunnels, site formation (including excavations) or related earthworks are proposed to be constructed or carried out on any premises, an investigation of the site shall be

undertaken by the qualified person appointed under section 8(1)(a) or 11(1)(d)(i) of the Act in respect of the structural elements of the relevant building works in order to establish the type and character of the ground and groundwater conditions on which the foundations, tunnels, site formation (including excavations) or earthworks are to be constructed or carried out.

(2) Whenever any site investigation is to be carried out, the qualified person appointed under section 8(1)(a) or 11(1)(d)(i) of the Act shall carry out proper and adequate site investigation —

(a) in accordance with the relevant standards and codes of practice;

[S 709/2017 wef 31/12/2018]

(b) by conducting adequate investigation boreholes and other appropriate investigation means, in-situ field tests and laboratory tests to establish the ground and groundwater conditions, their variability and the geotechnical aspects for the works to be carried out; and

[S 709/2017 wef 31/12/2018]

(c) by ensuring that all site investigation works are carried out by an accredited inspection body approved by the Singapore Accreditation Council under the Council's scheme for Accreditation of Inspection Bodies for Site Investigation.

[S 709/2017 wef 31/12/2018]

(3) Whenever any site investigation is to be carried out in respect of the building works, the qualified person appointed under section 8(1)(a) or 11(1)(d)(i) of the Act shall submit the site investigation reports to the Commissioner of Building Control and in accordance with paragraph (4).

(4) All site investigation reports shall contain field and laboratory data, and tests and results, and shall be accompanied by a certificate from an appropriate professional engineer who, having carried out, supervised or directed the site investigation, certifies that he has verified the accuracy of the information given in the site investigation report.

[S 54/2008 wef 15/02/2008]

Pre-construction survey

32.—(1) Where any demolition of any building, or any piling or foundation works, any tunnelling works, or any site formation works (including excavation works) are to be constructed or carried out, the builder shall, before commencing such works, carry out a pre-construction survey to establish the condition of existing buildings and structures adjacent or in otherwise close proximity to the building works.

(2) Before the building works commence, the builder shall give to each owner of every existing building and structure adjacent or in otherwise close proximity to the building works a copy of the report of a pre-construction survey carried out under paragraph (1) (referred to as the pre-construction survey report) on the owner's property.

(3) The builder shall keep at the site a complete set of all the pre-construction survey reports of pre-construction surveys carried out under paragraph (1) by the builder.

[S 54/2008 wef 15/02/2008]

Impact assessment report

33.—(1) The report of any investigation under regulation 31 or 32 shall contain recommendations on the measures to be taken in connection with the construction or carrying out of any demolition of a building, any piling or foundation works, any tunnelling works, or any site formation works (including excavation works) so as to prevent any settlement or other movement which may impair the stability of or cause damage to the whole or part of any premises or building adjacent or in otherwise close proximity to the building works.

[S 709/2017 wef 15/12/2017]

(2) The builder must carry out every measure mentioned in paragraph (1).

[S 709/2017 wef 15/12/2017]

Measures to protect trenches and pits

34. The builder appointed shall take measures to ensure that the trenches and pits at the site are adequately protected against erosion, failure and instability at all times.

[S 54/2008 wef 15/02/2008]

Formation of new slope or embankment

34A. Where the building works result in the formation of a new slope or embankment, the qualified person appointed under section 8(1)(a) or 11(1)(d)(i) of the Act shall determine and ascertain the integrity and stability of the new slope or embankment; and where appropriate, provide or cause to be provided a retaining wall or other earth retaining structure, or protective measures to stabilise the new slope or embankment.

[S 54/2008 wef 15/02/2008]

[S 101/2020 wef 10/02/2020]

Drainage of excavations

35.—(1) The builder shall provide or cause to be provided, and shall maintain, proper and adequate drainage for all excavations as long as the excavations continue.

[S 54/2008 wef 15/02/2008]

(2) Where any lowering of the water table is envisaged, the builder shall carry out or cause to be carried out adequate provisions to ensure that the lowering of the water table will not cause any damage to surrounding structures, roads and other properties.

[S 54/2008 wef 15/02/2008]

Protection of foundations and excavations

36.—(1) The builder shall provide or cause to be provided earth retaining structures to protect the sides of all foundations or excavations for any building works so as to prevent any settlement or other movement which may impair the stability of or cause damage to the whole or part of any adjoining premises or building.

[S 101/2020 wef 10/02/2020]

(2) The supervising qualified person appointed in respect of any building works shall regularly inspect the excavations and earth retaining structures referred to in paragraph (1) comprised in the

building works and the builder shall maintain their safe condition at all times as long as the excavations remain.

[S 54/2008 wef 15/02/2008]

[S 101/2020 wef 10/02/2020]

Instrumentation and monitoring results

37.—(1) Where required, the supervising qualified person appointed in respect of any building works shall provide to the Commissioner of Building Control the results of any instrumentation monitoring carried out on the site of the building works.

(2) The supervising qualified person appointed in respect of any building works shall —

- (a) regularly inspect all instrumentation for monitoring, including any settlement or movement or deformation of the ground in relation to which the building works are carried out and the structure of adjacent properties and analyse the results thereof; and
- (b) report periodically to the Commissioner of Building Control the instrumentation monitoring results.

(3) When any ground movement exceeds the allowable limits, the supervising qualified person appointed in respect of any building works and the builder of those building works shall notify the Commissioner of Building Control as soon as practicable regarding such movement.

(4) A builder of any building works shall —

- (a) where applicable, provide or cause to be provided protective measures for the structures of adjacent properties so that their safe condition is maintained at all times as long as the excavations continue;
- (b) put in place protective measures to prevent damage to the instrumentation for monitoring referred to in paragraph (2);
- (c) notify the supervising qualified person appointed in respect of the building works of any such instrumentation that is damaged as soon as practicable; and

- (d) replace or cause to be replaced any such instrumentation that is damaged or malfunctioning in a timely manner.

[S 54/2008 wef 15/02/2008]

Materials for construction

38.—(1) No person shall use or cause to be used in any building works any material specified in the Sixth Schedule without the permission of the Commissioner of Building Control.

[S 54/2008 wef 15/02/2008]

(2) The Commissioner of Building Control may grant permission under paragraph (1) subject to such terms and conditions as he thinks fit and such terms and conditions shall be complied with by the person to whom permission is granted.

(3) The Commissioner of Building Control may, at any time in writing, direct the supervising qualified person appointed in respect of any building works or the builder thereof to furnish to the Commissioner of Building Control within 14 days from the date of receipt of such written direction —

- (a) samples of the materials used in the building works;
- (b) information on the source thereof;
- (c) specifications of the materials; and
- (d) reports of tests carried out on the materials,

and the supervising qualified person or builder shall comply with such direction.

[S 54/2008 wef 15/02/2008]

Ready-mixed concrete

38A.—(1) No person shall use or cause to be used any ready-mixed concrete for structural elements in any major building works, unless —

- (a) the ready-mixed concrete is obtained from a plant which holds a valid product conformity certificate; and
- (b) the specification of the ready-mixed concrete is listed in the product conformity certificate.

(2) In this regulation, “product conformity certificate” means a certificate issued by a certification body accredited by the Singapore Accreditation Council under the Council’s Accredited Scheme for Product Certification Bodies for the certification of ready-mixed concrete.

[S 709/2017 wef 15/12/2017]

Prohibited designs for exterior of building

38B.—(1) Subject to paragraph (2), no person shall install or permit the installation of any movable panel that is to be fixed on the exterior surface of a building or any part thereof.

(2) Paragraph (1) shall not apply to the installation of any movable panel on the exterior surface of a detached, semi-detached, terrace or linked house, or any part thereof, that is used solely as a residence.

(3) In this regulation, “movable panel” includes a board, frame, plank, pane and the like which is designed to slide along a guide or track, or pivot about a pin, and which is constructed of any material.

[S 665/2013 wef 28/10/2013]

Construction tests

39.—(1) The tests to be conducted of or in connection with building works under section 7A(1) of the Act shall be in accordance with the objectives and performance requirements set out in the Fifth Schedule.

[S 54/2008 wef 15/02/2008]

(2) For the purposes of section 7A(2) of the Act, construction tests to be carried out in respect of the materials used in the building works and the building works shall be carried out in the following manner:

- (a) any test that is to be carried out at the premises where building works are carried out shall be carried out under the direction and supervision of the supervising qualified person appointed in respect of those building works;

[S 54/2008 wef 15/02/2008]

- (b) any test that is to be carried out in accordance with approved standards in a laboratory shall be carried out in a laboratory approved by the Singapore Accreditation

Council under the Singapore Laboratory Accreditation Scheme (SAC-SINGLAS);

[S 54/2008 wef 15/02/2008]

- (c) the taking of any sample of subject-matter for carrying out such tests shall be carried out under the supervision and direction of the supervising qualified person appointed in respect of those building works; and

[S 54/2008 wef 15/02/2008]

- (d) any test of materials used in building works shall be conducted on a sample taken from the same materials used or to be used in the building works.

[S 54/2008 wef 15/02/2008]

Failure of test

40.—(1) Where any test carried out at the premises or in any accredited laboratory fails to meet the minimum requirements stipulated in these Regulations or any approved code of practice, the supervising qualified person shall —

- (a) notify the Commissioner of Building Control as soon as practicable; and
- (b) together with the qualified person appointed under section 8(1)(a) or 11(1)(d)(i) of the Act recommend appropriate steps, measures or remedial works to be carried out.

[S 54/2008 wef 15/02/2008]

(2) Where the steps, measures or remedial works recommended under paragraph (1)(b) are acceptable to the Commissioner of Building Control, the Commissioner of Building Control may —

- (a) direct the supervising qualified person to implement, or cause to be implemented, the recommendations within such period of time as may be specified by the Commissioner of Building Control; or

[S 54/2008 wef 15/02/2008]

- (b) give any other written direction on other appropriate steps or measures to be taken,

and the supervising qualified person shall comply with such direction.

[S 54/2008 wef 15/02/2008]

Taking of samples for analysis

41.—(1) For the purposes of section 33(2) of the Act and subject to paragraph (2), any sample of building materials used in any building works shall be taken in the following manner:

- (a) the person taking the sample (referred to in this regulation as a sampling officer) shall immediately notify the developer, the supervising qualified person appointed in respect of the building works or any other person having possession of the building materials of his intention to take the sample;

[S 54/2008 wef 15/02/2008]

- (b) the sampling officer shall, after taking the sample, immediately divide the sample into 3 parts and cause each part to be marked and sealed or fastened in such manner as its nature will permit in the presence of the person referred to in paragraph (1)(a);
- (c) the sampling officer shall deliver one part of the sample to the person referred to in paragraph (1)(a); and
- (d) the sampling officer shall personally deliver one part of the sample to an analyst for analysis and retain the remaining one part for future comparison.

(2) Where it is not reasonably practicable to divide any sample or the division of the sample might impede the proper analysis of the materials, paragraph (1) shall be taken to be complied with if the sampling officer —

- (a) causes the sample to be marked and sealed or fastened in such manner as its nature will permit in the presence of the person referred to in paragraph (1)(a); and
- (b) then personally delivers the sample to an analyst for analysis.

PART IVA
INSTALLATION OF EXTERIOR FEATURES

[S 598/2004 wef 01/10/2004]

Definitions of this Part

41A. In this Part —

“air-conditioning unit” includes a window air-conditioning unit and any condensing equipment of an air-conditioning unit;

“approved window contractor” means a company or firm which is registered by the Authority as an approved window contractor under the regulatory work-head RW01 of the Authority’s Contractors’ Registry;

“Authority” means the Building and Construction Authority;

“installation” includes repairing, replacing, modifying and other works connected with or carried out for the purpose of installation;

“trained air-conditioning unit installer” means an individual certified by the Authority as a trained air-conditioning unit installer;

“trained window installer” means an individual certified by the Authority as a trained window installer.

[S 598/2004 wef 01/10/2004]

Installation of air-conditioning unit by trained air-conditioning unit installer

41B.—(1) Any person who desires to install an air-conditioning unit on the exterior of any building or which projects outwards from any building shall engage a trained air-conditioning unit installer to carry out the installation works relating to the air-conditioning unit.

(2) No person shall install any air-conditioning unit on the exterior of any building or which projects outwards from any building unless he is a trained air-conditioning unit installer.

(3) Any person who contravenes paragraph (1) or (2) shall be guilty of an offence and shall be liable on conviction to a fine not exceeding

\$5,000 or to imprisonment for a term not exceeding 6 months or to both.

[S 598/2004 wef 01/10/2004]

Duties of trained air-conditioning unit installer

41C.—(1) Subject to paragraph (2), every trained air-conditioning unit installer engaged to carry out the installation works relating to an air-conditioning unit under regulation 41B shall install a structural supporting system for the air-conditioning unit that complies with the specifications set out in Part I, II, III or IV of the Seventh Schedule, as the case may be, and any other requirement in these Regulations.

(2) A trained air-conditioning unit installer may depart from the specifications and requirements under paragraph (1) if —

- (a) he has obtained the prior written approval of the Commissioner of Building Control to such departure; or
- (b) in relation to a flat or building in any housing estate of the Housing and Development Board, he has complied with the specifications approved by that Board.

(3) A trained air-conditioning unit installer shall, not later than 14 days after the completion of installation works relating to any air-conditioning unit, submit a report of the completed works to the Commissioner of Building Control, in such form as the Commissioner of Building Control shall determine.

(4) Any trained air-conditioning unit installer who fails to comply with paragraph (1) or (3) shall be guilty of an offence and shall be liable on conviction to a fine not exceeding \$5,000 or to imprisonment for a term not exceeding 6 months or to both.

[S 598/2004 wef 01/10/2004]

Installation of window by trained window installer, etc.

41D.—(1) Any person who desires to install a window on any building shall engage an approved window contractor or a builder to install the window.

[S 665/2013 wef 28/10/2013]

(1A) Any person who desires to install, in the course of any building works, a window that is to be an exterior feature of a building, shall engage a builder to perform the installation.

[S 665/2013 wef 28/10/2013]

(2) Subject to paragraph (2A), no person shall install any window that is or is to be an exterior feature of any building unless —

- (a) he is a trained window installer; or
- (b) he is doing so under the supervision and guidance of a trained window installer.

[S 478/2007 wef 17/09/2007]

(2A) No trained window installer shall install, or supervise and guide the installation of, any window that is or is to be an exterior feature of any building unless he is —

- (a) a director;
- (b) a partner;
- (c) the sole proprietor; or
- (d) an employee,

of an approved window contractor or a builder engaged under paragraph (1) or (1A), as the case may be.

[S 478/2007 wef 17/09/2007]

[S 665/2013 wef 28/10/2013]

(3) Any person who contravenes paragraph (1), (1A), (2) or (2A) shall be guilty of an offence and shall be liable on conviction to a fine not exceeding \$5,000 or to imprisonment for a term not exceeding 6 months or to both.

[S 478/2007 wef 17/09/2007]

[S 598/2004 wef 01/10/2004]

[S 665/2013 wef 28/10/2013]

Duties of builder, approved window contractor and trained window installer

41E.—(1) Every builder, approved window contractor or trained window installer appointed to install a window under regulation 41D shall carry out the works in compliance with the objectives and

performance requirements set out in the Fifth Schedule relating to the safety of windows and any other requirement in these Regulations.

[S 665/2013 wef 28/10/2013]

(1A) A builder or an approved window contractor appointed under regulation 41D(1) to carry out the replacement or modification of windows shall, not later than 14 days after the completion of the replacement or modification works, submit a certification of the completion of work to the Commissioner of Building Control in such form or manner as the Commissioner of Building Control may determine.

[S 665/2013 wef 28/10/2013]

(2) Any builder or approved window contractor who fails to comply with paragraph (1) or (1A), and any trained window installer who fails to comply with paragraph (1), shall be guilty of an offence and shall be liable on conviction to a fine not exceeding \$5,000 or to imprisonment for a term not exceeding 6 months or to both.

[S 665/2013 wef 28/10/2013]

Qualifications for certification as trained air-conditioning unit installer

41F. No person shall be certified by the Authority as a trained air-conditioning unit installer unless he has completed such training course on the installation of a structural supporting system to support an air-conditioning unit as the Authority may require.

[S 598/2004 wef 01/10/2004]

Requirements for registration as approved window contractor

41G. The Authority may register as an approved window contractor any company or firm which —

- (a) is recognised by the Housing and Development Board as a trained window contractor; or
- (b) has at least 2 trained window installers each of whom is either a director, a partner, the sole proprietor or an employee of the company or firm, as the case may be.

[S 598/2004 wef 01/10/2004]

Qualifications for certification as trained window installer

41H. No person shall be certified by the Authority as a trained window installer unless —

- (a) he has completed such training course on safety of windows as the Authority may require; and
- (b) he has, before commencing the training course in paragraph (a), acquired 12 months or such other period of practical experience in the installation of windows as the Authority may require.

[S 598/2004 wef 01/10/2004]

[S 478/2007 wef 17/09/2009]

Revocation of registration

41I.—(1) The Authority may revoke the registration of any approved window contractor which —

- (a) has been convicted of an offence which, in the opinion of the Authority, renders it unfit to remain registered as an approved window contractor;
- (b) has breached any of the conditions of its registration; or
- (c) is, in the opinion of the Authority, unable to effectively carry out its duties under these Regulations or any other building regulations as an approved window contractor.

(2) Where the Authority intends to revoke the registration of any approved window contractor under paragraph (1), the Authority shall notify that approved window contractor and give it an opportunity to be heard.

(3) Any approved window contractor whose registration has been revoked under paragraph (1), may, within 14 days after receiving notice of such revocation, appeal to the Minister whose decision shall be final.

[S 598/2004 wef 01/10/2004]

PART V
OCCUPATION OF BUILDINGS

Certificate of statutory completion

42.—(1) On completion of any building works, the developer of the building works shall apply to the Commissioner of Building Control for —

- (a) a certificate of statutory completion; or
- (b) a temporary occupation permit.

[S 54/2008 wef 15/02/2008]

(2) The Commissioner of Building Control may issue a certificate of statutory completion in respect of a building or any part thereof in respect of which any building works have been carried out where —

- (a) the building works have been completed in accordance with the provisions of the Act and these Regulations;
- (b) every report and certificate referred to in regulation 23 have been submitted by the appropriate qualified person to the Commissioner of Building Control in accordance with that regulation ;
- (c) the certificate from the builder referred to in section 11(1)(f) of the Act has been submitted to the Commissioner of Building Control within 7 days of the completion of the building works;

[S 54/2008 wef 15/02/2008]

- (d) all the written directions given by the Commissioner of Building Control to the appropriate qualified person who prepared the plans of the building works or who supervised the carrying out of the building works or part thereof under section 5(3)(b) of the Act have been complied with;

[S 54/2008 wef 15/02/2008]

- (e) all the requirements either shown or endorsed on the approved plans have been complied with;
- (f) the record plans of the detailed structural plans, design calculations and building plans incorporating all the departures or deviations from the approved structural

plans, design calculations and building plans have been submitted to the Commissioner of Building Control;

[S 665/2013 wef 28/10/2013]

(fa) such of the following clearances, permits or approvals as may be applicable have been submitted to the Commissioner of Building Control:

(i) clearances, permits or approvals under the Fire Safety Act (Cap. 109A) relating to fire safety from the Commissioner of Civil Defence;

(ii) clearances, permits or approvals under the Sewerage and Drainage Act (Cap. 294) relating to sewerage and drainage from the Public Utilities Board;

(iii) clearances, permits or approvals under the Environmental Protection and Management Act (Cap. 94A) from the Director-General of Environmental Protection;

(iv) clearances, permits or approvals under the Street Works Act (Cap. 320A) and Parking Places Act (Cap. 214) from the Land Transport Authority of Singapore;

(v) clearances, permits or approvals under the Parks and Trees Act (Cap. 216) from the Commissioner of Parks and Recreation; and

[S 665/2013 wef 28/10/2013]

(g) such other certificate or document as may be required by the Commissioner of Building Control has been submitted.

(3) *[Deleted by S 665/2013 wef 28/10/2013]*

Temporary occupation permit

43.—(1) A certificate of statutory completion shall not be issued in respect of any building where —

(a) there are requirements still to be complied with under the Act or these Regulations;

- (b) any of the written directions or requirements shown or endorsed on the plans have not been fully complied with;
- (c) there are departures or deviations from any approved plans of building works; or
- (d) the building works have not been fully completed.

(2) Notwithstanding paragraph (1), the Commissioner of Building Control may, if he is satisfied that the non-compliance, deviation or non-completion of the building works is neither of a serious nature nor in any way detrimental to the well-being or safety of the persons who may occupy the building or part thereof, grant a temporary occupation permit for the occupation or use of the building.

(3) A temporary occupation permit may be granted where —

- (a) every report or certificate referred to in regulation 23 by the appropriate qualified person has been submitted to the Commissioner of Building Control;
- (b) the certificate from the builder referred to in section 11(1)(f) of the Act has been submitted to the Commissioner of Building Control within 7 days of the completion of the building works;
[S 54/2008 wef 15/02/2008]
- (c) the record plans of the detailed structural plans, design calculations and building plans incorporating all the departures or deviations from the approved structural plans, design calculations and building plans have been submitted to the Commissioner of Building Control;
[S 665/2013 wef 28/10/2013]
- (ca) such of the clearances, permits or approvals referred to in regulation 42(2)(fa) as may be applicable have been submitted to the Commissioner of Building Control; and
[S 665/2013 wef 28/10/2013]
- (d) such other certificate or document as may be required by the Commissioner of Building Control has been submitted.

(4) *[Deleted by S 665/2013 wef 28/10/2013]*

Separation of part of building under construction

44. Where a temporary occupation permit for part of the building is granted, the person for whom the temporary occupation permit is granted shall ensure that the part that may be occupied are separated from the other parts with proper hoardings or other barriers.

PART VI**MISCELLANEOUS****Overloading**

45.—(1) No building shall be subjected to any load beyond its design loads as indicated in the approved detailed structural plans and design calculations relating to the building.

(2) Paragraph (1) shall not apply with respect to any load which may be required or permitted by the Commissioner of Building Control for the purpose of load testing.

Notice as to loads

46. In every storey of a non-residential building, there shall be exhibited by the owner of the building, at an appropriate place, permanently and conspicuously, a floor diagram and a notice incised or embossed on metal, plastic or other durable material stating the imposed load for which the floor has been designed.

Power to prescribe procedures and set standards

47. The Commissioner of Building Control may, from time to time, issue or amend codes or other documents setting out such standards, designs, requirements, procedures or other details pertaining to the matters under the Act and these Regulations, not inconsistent with the provisions of the Act and these Regulations, as he thinks fit.

Application of standards or code of practice

48. Where any standard or code of practice is cited or referred to in any document issued under these Regulations, and there is subsequently issued a corresponding Singapore Standard or Code of Practice on the same subject matter, the document shall be

construed as if the corresponding Singapore Standard or Code of Practice has superseded such standard or code of practice and shall be complied with.

Inspection and copying of approved drawings

49. The Commissioner of Building Control may allow the approved drawings of building works kept in his office to be inspected and copied by the owner of the building or the owner's authorised agent on such terms and conditions as the Commissioner of Building Control may decide.

[S 54/2008 wef 15/02/2008]

Penalty

50. Any person who contravenes regulation 24A, 25, 26, 29(1) or (2), 30(1), (2), (3), (4) or (5), 31(1), (2) or (3), 32, 33(1) or (2), 34, 34A, 35(1) or (2), 36(1) or (2), 37, 38(1) or (3), 38A(1), 38B(1), 40(1) or (2), 44, 45(1) or 46 shall be guilty of an offence and shall be liable on conviction to a fine not exceeding \$20,000 or to imprisonment for a term not exceeding 12 months or to both.

[S 54/2008 wef 15/02/2008]

[S 250/2008 wef 01/10/2008]

[S 665/2013 wef 28/10/2013]

[S 709/2017 wef 15/12/2017]

[S 808/2018 wef 01/03/2019]

Revocation and savings

51.—(1) The Building Control Regulations (Rg 1) are revoked.

(2) Notwithstanding paragraph (1), the revoked Building Control Regulations shall continue to apply to any of the following building works as if those Regulations have not been revoked:

- (a) building works for which an application for the approval of plans is submitted before 1st January 2004; and
- (b) building works for which an application for the approval of any amendment to the plans referred to in paragraph (a) is made on or after 1st January 2004.

FIRST SCHEDULE

Regulation 3A

INSIGNIFICANT BUILDING WORKS

1. Building works carried out for or in connection with —

(a) site formation works involving any excavation or filling not exceeding 1,500 millimetres in depth or height;

(b) any shaft, manhole, trench or tunnel for the purpose of laying sewer, water or other utility pipes, where the pipe does not exceed 1,000 millimetres in internal diameter, and where the building works are not located within the site of other building works that are not specified in this Schedule;

[S 665/2013 wef 01/04/2014]

(c) any boundary wall, boundary fence or gate;

(d) any awning, windowhood or cantilevered roof constructed of tiles, and having a projection not exceeding 1,400 millimetres;

[S 665/2013 wef 01/04/2014]

(e) any awning, windowhood or cantilevered roof constructed of lightweight material, or glass not exceeding a thickness of 13 millimetres, and having a horizontal projection not exceeding 3,000 millimetres;

[S 665/2013 wef 01/04/2014]

(f) any single storey open-sided shelter, gazebo and the like (whether erected on the ground or on a roof), not exceeding an area of 10 square metres;

[S 665/2013 wef 01/04/2014]

(fa) any trellis;

[S 665/2013 wef 01/04/2014]

(fb) any single storey detached booth, covered walkway, kiosk, guardhouse, bin centre, and the like, at the ground level, not exceeding an area of 10 square metres;

[S 709/2017 wef 15/12/2017]

(fc) any single storey shed or hut not exceeding an area of 10 square metres for housing fuel tanks, mechanical or electrical equipment;

[S 709/2017 wef 15/12/2017]

(fd) temporary decking over any trench, where such decking is not accessible to the public or has a width not exceeding 3,000 millimetres;

[S 709/2017 wef 15/12/2017]

(g) any canal or drain, including any associated earth retaining structure, if —

FIRST SCHEDULE — *continued*

- (i) the depth of the canal or drain, as measured from the ground to the soffit of the base of the canal or drain, does not exceed 1,500 millimetres; or
- (ii) the following conditions are met:
 - (A) the depth of the canal or drain, as measured from the ground to the soffit of the base of the canal or drain, exceeds 1,500 millimetres but does not exceed 2,500 millimetres;
 - (B) the distance between each point of the canal or drain and any adjacent building or slope is at least 2 times the depth of the canal or drain as mentioned in sub-paragraph (A);

[S 101/2020 wef 10/02/2020]
- (h) any box culvert with a span not exceeding 5,000 millimetres, including any associated earth retaining structure, if —
 - (i) the depth of the box culvert, as measured from the ground to the soffit of the base of the box culvert, does not exceed 1,500 millimetres; or
 - (ii) the following conditions are met:
 - (A) the depth of the box culvert, as measured from the ground to the soffit of the base of the box culvert, exceeds 1,500 millimetres but does not exceed 2,500 millimetres;
 - (B) the distance between each point of the box culvert and any adjacent building or slope is at least 2 times the depth of the box culvert as mentioned in sub-paragraph (A);

[S 101/2020 wef 10/02/2020]
- (i) *[Deleted by S 709/2017 wef 15/12/2017]*
- (j) any pipe rack or support not exceeding 2,000 millimetres in height;
- (k) any height restriction gantry;
- (l) any concrete or brick vault used for housing tanks located under the ground at a depth not exceeding 1,500 millimetres;

[S 665/2013 wef 01/04/2014]
- (m) any plinth, platform or other base not supported by piled foundation, erected for the purpose of supporting any mechanical plant, tank, equipment, machinery or other components (other than a building) not exceeding 2,500 millimetres in height;

[S 665/2013 wef 01/04/2014]

FIRST SCHEDULE — *continued*

- (n) the enclosing of any sides of a balcony, yard or terrace with windows and glass panels in residential buildings;
[S 665/2013 wef 01/04/2014]
- (o) the creation of any opening in a non-load bearing wall or the sealing up of any wall opening;
- (p) the demolition, restoration or reinstatement of any non-load bearing wall;
- (q) any retaining wall or earth retaining structure that is constructed with structural steel or reinforced concrete and with a visible height of not more than 1,500 millimetres, or any other retaining wall or earth retaining structure with a visible height of not more than 1,000 millimetres;
[S 250/2008 wef 01/10/2008]
[S 643/2008 wef 01/10/2008]
- (r) any retaining wall or earth retaining structure for supporting the face of an excavation made for the purpose of constructing any pile cap, footing, sump, lift pit or trench, provided that the size of the pile cap, footing, sump, lift pit or trench does not exceed 10 square metres in area and 2 metres in depth;
[S 643/2008 wef 01/10/2008]
[S 665/2013 wef 01/04/2014]
[S 101/2020 wef 10/02/2020]
- (s) the replacement or reinstatement of any railing, balustrade or similar barrier constructed of any material other than non-laminated glass, using the same material, design and fixing details;
[S 665/2013 wef 01/04/2014]
- (t) any single storey building used for agriculture or to house livestock, including a greenhouse or a building used to house fixed plant or machinery for the farm, provided that —
- (i) no part of the building is used as a dwelling or for the purposes of packing, exhibiting, or retailing; and
 - (ii) each point of the building is situated not less than 1.5 times its height away from any adjacent building or any route of public access;
[S 665/2013 wef 01/04/2014]
[S 709/2017 wef 15/12/2017]
- (u) any pre-fabricated swimming or wading pool placed on the ground, provided that —

FIRST SCHEDULE — *continued*

- (i) the maximum depth of water contained in the pool is not more than 1,000 millimetres; and
- (ii) where the pool is located on higher ground, the distance between the pool and any retaining structure or slope is more than 3,000 millimetres and the difference in elevation of the ground levels is less than 1,500 millimetres; or
[S 665/2013 wef 01/04/2014]
[S 709/2017 wef 15/12/2017]
- (v) any loft that —
 - (i) has only timber flooring; and
 - (ii) does not exceed an area of 5 square metres.
[S 709/2017 wef 15/12/2017]
- 2. Replacement or changing of windows and doors.
- 3. Replacement of existing floor and wall finishes.
- 4. Replacement or changing of any false ceiling with lightweight material.
- 5. One to one replacement of timber roof or other roof covering not involving any replacement of roof trusses.
- 6. Erection or alteration of —
 - (a) any partition or partition wall in any bungalow, semi-detached, terrace or linked house; or
 - (b) any partition or partition wall constructed of lightweight material in any other building.
- 7. Construction of any raised floor or the topping up of balconies, and the like, with lightweight materials.
- 8. *[Deleted by S 709/2017 wef 15/12/2017]*
- 9. Installation of any roller shutter or grilled door.
- 10. Erection of any single storey lean-to extension with roof covering of tiles, or of any lighter material, in any bungalow, semi-detached, terrace or linked house.
[S 665/2013 wef 01/04/2014]
- 11. *[Deleted by S 709/2017 wef 15/12/2017]*
- 12. All air-conditioning works.
- 12A. *[Deleted by S 709/2017 wef 15/12/2017]*

FIRST SCHEDULE — *continued*

13. In this Schedule —

“agriculture” includes horticulture, fruit growing, the growing of plants for seed and aquaculture;

[S 665/2013 wef 01/04/2014]

“lightweight material” means —

- (a) any sheet or board material such as timber board, plywood, fibreboard, plasterboard, aluminium sheet, corrugated metal sheet or polycarbonate sheet;
- (b) any concrete product made with lightweight aggregates such as pumice, perlite or vermiculite; or
- (c) any hollow concrete block, hollow glass block, autoclaved aerated concrete block and the like;

“non-laminated glass” means glass other than laminated glass;

[S 665/2013 wef 01/04/2014]

“non-load bearing wall” means a wall which supports no load other than its own weight;

“partition” means a temporary or an easily removable vertical panel of lightweight construction for the subdivision of spaces within a building.

[S 54/2008 wef 15/02/2008]

SECOND SCHEDULE

Regulations 4(2), 13, 18(6) and 20(3)

FEES

PART 1

DEFINITIONS

Definitions

1.—(1) In this Schedule, unless the context otherwise requires —

“first storey”, in relation to a general building that is the subject of an application under section 5, 5A or 6 of the Act, means the storey designated as the first storey in the building plans submitted with the application;

“general building” means a building that is not a specified building, and includes a type 1 building;

[S 695/2020 wef 31/08/2020]

SECOND SCHEDULE — *continued*

“SGFA” or “statistical gross floor area” —

- (a) in relation to one storey in a general building in a development, means the floor area of that storey;
- (b) in relation to 2 or more storeys in a general building in a development, means the aggregate of the floor areas of those storeys in that general building; and
- (c) in relation to 2 or more storeys in 2 or more general buildings in a development, means the aggregate of the floor areas of those storeys in those general buildings;

“specified building” means —

- (a) a bridge;
- (b) a bund;
- (c) a canal;
- (d) a chimney;
- (e) a dry dock;
- (f) a jetty;
- (g) a landing stage;
- (h) a lighting mast;
- (i) a pier;
- (j) a retaining wall;
- (k) a tank (other than a water tank on a roof);
- (l) a tunnel;
- (m) a underpass;
- (n) a wharf;
- (o) a sewage treatment plant;
- (p) a silo;
- (q) a slip dock;
- (r) a slope;
- (s) a swimming pool; or
- (t) any other similar structure;

SECOND SCHEDULE — *continued*

“storey” includes a basement;

[S 695/2020 wef 31/08/2020]

“type 1 building” means any agricultural or industrial building, being a building that is constructed or used, or is to be constructed or used, primarily for one or more of the following purposes:

- (a) the growing, cultivation, picking or harvesting of any plant, fungi or algae intended for human or animal consumption or other commercial purposes;
- (b) the rearing, breeding or processing of any animal or invertebrate intended for human or animal consumption or other commercial purposes;
- (c) the manufacturing, preparation, preservation, processing, brewing, packing, canning, bottling or storage of any foodstuff or beverage;
- (d) the carrying out of activities involving agricultural science or agri-biotechnology in relation to food or food biotechnology;
- (e) the manufacturing, assembling, altering, repairing, servicing, ornamenting, finishing, cleaning, washing, packing, canning, adapting, breaking up or demolishing of any article or part of an article;

Examples

Buildings that are constructed or used primarily for any of the following purposes:

- (a) the assembly, manufacture, repair or servicing of any machinery or plant;
- (b) the assembly, repair or servicing of —
 - (i) any computer hardware, audiovisual equipment, and other communication or electronic equipment, apparatus or parts;
 - (ii) any office, computing or accounting machinery; or
 - (iii) any photographic or optical goods;
- (c) the assembly, repair, servicing or refilling of any fire extinguishers;
- (d) the assembly, repair or servicing of any vehicle;
- (e) the assembly, repair, servicing or maintenance of any engine, motor or mechanical pump;

 SECOND SCHEDULE — *continued*

- (f) the cutting, grinding or polishing of marble or ceramic tiles.
 - (f) the blending, canning or bottling of any substance;
 - (g) the processing, recovery, refining or treatment of any metal or minerals;
 - (h) the storing, sorting, processing, treatment or recycling of plastic materials, metal scraps, horticultural waste or electrical or electronic waste;
 - (i) the storage of any goods, products or substances;
 - (j) the carrying out of any printing works;
 - (k) as a data centre.

[S 695/2020 wef 31/08/2020]

(2) For the purposes of paragraphs 3, 5, 6 and 9 —

- (a) a reference to a storey (of a general building) above sublevel is a reference to any of the following:
 - (i) a storey that has a finished floor level that is not more than 6 metres below the finished floor level of the first storey;
 - (ii) the first storey of the general building;
 - (iii) a storey that is above the first storey; and
- (b) a reference to a storey (of a general building) below sublevel is a reference to a storey of the general building that has a finished floor level that is more than 6 metres below the finished floor level of the first storey of the general building.

(3) For the purposes of paragraphs 4, 7 and 10 —

- (a) a reference to a plan view of a specified building is a reference to the plan view of the entire specified building; and
- (b) a reference to a plan view of a specified building at below sublevel is a reference to the plan view of all parts of the specified building that are more than 6 metres below —
 - (i) the proposed platform level of the specified building; or
 - (ii) where there is no proposed platform level, the existing platform level of the specified building.

SECOND SCHEDULE — *continued*

PART 2

FEES FOR APPLICATIONS UNDER SECTION 5 OF ACT

Application fees for approval of building works

2. The fee payable for an application for approval of plans of building works under section 5 of the Act is the aggregate of the following:

- (a) where the building works consist of —
- (i) the erection or extension of any one or more general buildings in a development;
 - (ii) the demolition of any part of that building or those buildings in sub-paragraph (i); or
 - (iii) site formation works connected with or carried out for the purpose of building works described in sub-paragraph (i) or (ii),

the fee calculated in accordance with paragraph 3;

[S 709/2017 wef 02/04/2018]

- (b) where the building works consist of —
- (i) the erection or extension of a specified building;
 - (ii) the demolition of any part of a specified building; or
 - (iii) site formation works connected with or carried out for the purpose of building works described in sub-paragraph (i) or (ii),

the fee calculated in accordance with paragraph 4;

[S 709/2017 wef 02/04/2018]

- (ba) where the building works consist of the demolition of an entire general building or specified building (including site formation works connected with or carried out for the purpose of such building works), the fee calculated in accordance with paragraph 4A;

[S 709/2017 wef 02/04/2018]

- (c) subject to sub-paragraph (d), where the building works consist of the alteration, addition or repair of a general building (including site formation works connected with or carried out for the purpose of such building works), the fee calculated in accordance with paragraph 5;

- (d) where the building works —
- (i) consist of any alteration, addition or repair of a general building that is a non-residential general building (including

SECOND SCHEDULE — *continued*

site formation works connected with or carried out for the purpose of such building works); and

- (ii) require the submission of any structural plans, the fee calculated in accordance with paragraph 6;
- (e) where the building works consist of the alteration, addition or repair of a specified building (including site formation works connected with or carried out for the purpose of such building works), the fee calculated in accordance with paragraph 7.

Fee for erection, extension or demolition of general buildings

3. The fee mentioned in paragraph 2(a) in relation to the building works in respect of a general building or general buildings in a development mentioned in that paragraph is an amount computed in accordance with the formula $A + B$, where —

- (a) A is a sum calculated at a rate of \$400 for every 100 m² or part thereof of the SGFA of every storey below sublevel (in respect of which the building works are to be carried out) in every general building in the development; and
- (b) B is a sum calculated at a rate of —
 - (i) for every general building in the development that is a type 1 building —
 - (A) \$150 for every 100 m² or part thereof of the first 10,000 m²; and
 - (B) \$220 for every subsequent 100 m² or part thereof, of the SGFA of every storey above sublevel (in respect of which the building works are to be carried out) in that general building; and
 - (ii) for every other general building in the development —
 - (A) \$300 for every 100 m² or part thereof of the first 2,500 m²; and
 - (B) \$240 for every subsequent 100 m² or part thereof, of the SGFA of every storey above sublevel (in respect of which the building works are to be carried out) in that building.

[S 695/2020 wef 31/08/2020]

SECOND SCHEDULE — *continued***Fee for erection, extension or demolition of specified buildings**

4.—(1) The fee mentioned in paragraph 2(b) in relation to the building works in respect of a specified building mentioned in that paragraph is an amount computed in accordance with the formula $A + B$, where —

(a) A is a sum calculated at a rate of \$400 for every 100 m² or part thereof of the area of the plan view of the specified building at below sublevel; and

(b) B is a sum calculated at a rate of —

(i) \$300 for every 100 m² or part thereof of the first 2,500 m²; and

(ii) \$240 for every subsequent 100 m² or part thereof,

of the area that is computed in accordance with the formula in sub-paragraph (2).

(2) The formula mentioned in sub-paragraph (1)(b) is $C - D$, where —

(a) C is the area of the plan view of the specified building; and

(b) D is the area of the plan view of the specified building at below sublevel.

Fee for demolition of entire general building or specified building

4A. The fee mentioned in paragraph 2(ba) —

(a) in relation to the demolition of an entire general building is calculated at a rate of \$200 for each storey of the building; and

(b) in relation to the demolition of an entire specified building is calculated at a rate of \$200 for every 5 metres or part thereof of the height of the building.

[S 709/2017 wef 02/04/2018]

Fee for alterations, additions or repairs of general buildings

5.—(1) The fee mentioned in paragraph 2(c) in relation to the building works in respect of a general building mentioned in that paragraph is a sum calculated at a rate of \$200 for every storey of the general building, in respect of which any alteration, addition or repair is to be carried out.

(2) Where any alteration or addition of the general building involves increasing the floor area of the general building, in addition to the fee specified in sub-paragraph (1), there must be paid a fee that is computed in accordance with the formula $A + B$, where —

SECOND SCHEDULE — *continued*

- (a) A is a sum calculated at a rate of \$400 for every 100 m² or part thereof of the increase in the floor area of all the storeys of the general building below sublevel; and
- (b) B is a sum calculated at a rate of —
- (i) \$300 for every 100 m² or part thereof of the first 2,500 m²; and
 - (ii) \$240 for every subsequent 100 m² or part thereof,
- of the increase in the floor area of all the storeys of the general building above sublevel.

Fee for alterations, additions or repairs of non-residential buildings

6.—(1) The fee mentioned in paragraph 2(d) in relation to the building works in respect of a general building mentioned in that paragraph is a sum calculated at a rate of \$400 for every storey of the general building, in respect of which the alteration, addition or repair is to be carried out.

(2) Where any alteration or addition of the general building involves increasing the floor area of the general building, in addition to the fee specified in sub-paragraph (1), there must be paid a fee that is computed in accordance with the formula $A + B$, where —

- (a) A is a sum calculated at a rate of \$400 for every 100 m² or part thereof of the increase in the floor area of all the storeys of the general building below sublevel; and
- (b) B is a sum calculated at a rate of —
- (i) \$300 for every 100 m² or part thereof of the first 2,500 m²; and
 - (ii) \$240 for every subsequent 100 m² or part thereof,
- of the increase in the floor area of all the storeys of the general building above sublevel.

Fee for alterations, additions or repairs of specified buildings

7.—(1) The fee mentioned in paragraph 2(e) in relation to the building works in respect of a specified building mentioned in that paragraph is \$400.

(2) Where any alteration or addition of the specified building involves increasing the area of the plan view of the specified building, in addition to the fee specified in sub-paragraph (1), there must be paid a fee that is computed in accordance with the formula $A + B$, where —

SECOND SCHEDULE — *continued*

- (a) A is a sum calculated at a rate of \$400 for every 100 m² or part thereof of the increase in the area of the plan view of the specified building at below sublevel; and
- (b) B is a sum calculated at a rate of —
- (i) \$300 for every 100 m² or part thereof of the first 2,500 m²; and
 - (ii) \$240 for every subsequent 100 m² or part thereof,
- of the area that is computed in accordance with the formula in sub-paragraph (3).
- (3) The formula mentioned in sub-paragraph (2)(b) is $C - D$, where —
- (a) C is the increase in the area of the plan view of the specified building; and
 - (b) D is the increase in the area of the plan view of the specified building at below sublevel.
- (4) For the purposes of sub-paragraph (2), B is deemed to be zero if the area calculated in accordance with the formula in sub-paragraph (3) is a negative value.

PART 3

FEES FOR APPLICATIONS UNDER SECTION 5A OF ACT

Fees for approval of departures and deviations from approved plans

8. The fee payable for an application under section 5A of the Act for the approval of any amended plans showing any proposed departure or deviation from approved plans of building works is —

- (a) where the building works are in respect of a general building, the fee specified in paragraph 9; or
- (b) where the building works are in respect of a specified building, the fee specified in paragraph 10.

Departures and deviations from approved plans for general buildings

9.—(1) The fee mentioned in paragraph 8(a) in relation to the proposed departure or deviation in respect of a general building mentioned in that paragraph is a sum calculated at a rate of \$200 for every storey of the general building, in respect of which the departure or deviation is to be made.

(2) Where any departure or deviation results in an increase of the floor area of the general building, in addition to the fee specified in sub-paragraph (1), there

SECOND SCHEDULE — *continued*

must be paid a fee that is computed in accordance with the formula $A + B$, where —

- (a) A is a sum calculated at a rate of \$400 for every 100 m² or part thereof of the increase in the floor area of all the storeys of the general building below sublevel; and
- (b) B is a sum calculated at a rate of —
 - (i) \$300 for every 100 m² or part thereof of the first 2,500 m²; and
 - (ii) \$240 for every subsequent 100 m² or part thereof,
 of the increase in the floor area of all the storeys of the general building above sublevel.

Departures and deviations from approved plans for specified buildings

10.—(1) The fee mentioned in paragraph 8(b) in relation to the proposed departure or deviation in respect of a specified building mentioned in that paragraph is \$200.

(2) Where any departure or deviation results in an increase of the area of the plan view of the specified building, in addition to the fee specified in sub-paragraph (1), there must be paid a fee that is computed in accordance with the formula $A + B$, where —

- (a) A is a sum calculated at a rate of \$400 for every 100 m² or part thereof of the increase in the area of the plan view of the specified building at below sublevel; and
- (b) B is a sum calculated at a rate of —
 - (i) \$300 for every 100 m² or part thereof of the first 2,500 m²; and
 - (ii) \$240 for every subsequent 100 m² or part thereof,
 of the area that is computed in accordance with the formula in sub-paragraph (3).

(3) The formula mentioned in sub-paragraph (2)(b) is $C - D$, where —

- (a) C is the increase in the area of the plan view of the specified building; and
- (b) D is the increase in the area of the plan view of the specified building at below sublevel.

(4) For the purposes of sub-paragraph (2), B is deemed to be zero if the area calculated in accordance with the formula in sub-paragraph (3) is a negative value.

SECOND SCHEDULE — *continued*

PART 4

FEES FOR APPLICATIONS UNDER SECTION 6A OF ACT

Fees for modification or waiver

11. The fee payable for an application under section 6A of the Act to modify or waive any requirement of the building regulations in relation to any particular building works is a sum calculated at a rate of \$100 for every item of modification or waiver.

[S 443/2017 wef 10/09/2017]

THIRD SCHEDULE

Regulation 6

SCOPE OF PROFESSIONAL PRACTICE

No qualified person shall prepare or sign the plans of building works —

- (a) for any of the projects listed in Part I unless he is a professional engineer;
- (b) for any of the projects listed in Part II unless he is a professional engineer or an architect except that for structural components and works relating to such projects, the structural plans shall be prepared by a professional engineer; and
- (c) for any other project not listed in Parts I and II unless he is an architect except that for structural components and works relating to such projects, the structural plans shall be prepared by a professional engineer.

PART I

- (1) Airport runways, taxiways and aprons
- (2) Bridges, causeways, tunnels and underpasses
- (3) Bulk handling complexes
- (4) Chimneys
- (5) Claddings and curtain walls
- (6) Concrete tanks
- (7) Crane gantries
- (8) Culverts

THIRD SCHEDULE — *continued*

- (9) Dry docks, jetties, quays, slipways, harbours, wharves and marine structures
- (10) Retaining wall and stabilising earth structures
- (11) Site formation works, foundations and plinths
- (12) Transmission towers.

PART II

- (1) Alterations, additions and extensions to detached, semi-detached and terraced houses
- (2) Alterations and additions within existing buildings which do not affect the building envelope
- (3) Bus depots and train depots
- (4) Cable car stations and towers
- (5) Electric substations
- (6) Farm structures
- (7) Grandstands and sports stadia
- (8) Helicopter ports
- (9) Industrial buildings
- (10) Marinas
- (11) Pedestrian overhead bridges
- (12) Petrol service stations
- (13) Power stations
- (14) Pumping stations
- (15) Satellite tracking stations
- (16) Shipyards
- (17) Silos
- (18) Swimming pools
- (19) Warehouses and godowns.

FOURTH SCHEDULE

Regulation 12

MINOR BUILDING WORKS NOT REQUIRING CERTIFICATE OF ACCREDITED CHECKER

1. Building works for or in connection with —
 - (a) detached houses, semi-detached houses, terraced or linked houses for residential purposes not exceeding 3 storeys involving only structures that are not the subject of sub-paragraphs (b) to (k);
[S 665/2013 wef 28/10/2013]
 - (b) detached substations not exceeding 3 storeys, detached bin centres, detached guard houses and the like; and
[S 54/2008 wef 15/02/2008]
[S 101/2020 wef 10/02/2020]
 - (c) retaining walls and earth stabilising structures not exceeding a visible height of 4 metres;
[S 54/2008 wef 15/02/2008]
 - (d) shophouses not exceeding 3 storeys (where attic or basement floor exceeding an area of 100 square metres shall be considered as a storey);
[S 54/2008 wef 15/02/2008]
[S 101/2020 wef 10/02/2020]
 - (e) single storey buildings, sheds, covered walkways and the like where the span of beams or roof trusses is not more than 15 metres or the span of any cantilever is not more than 6 metres;
[S 665/2013 wef 28/10/2013]
 - (f) underground tank, swimming pool and the like not exceeding a depth of 4 metres;
[S 54/2008 wef 15/02/2008]
 - (g) *[Deleted by S 665/2013 wef 28/10/2013]*
 - (h) box culverts, canal crossings or bridges with spans not exceeding 5 metres;
[S 54/2008 wef 15/02/2008]
[S 665/2013 wef 28/10/2013]
 - (i) chimneys, lighting masts and the like not exceeding 20 metres in height;
[S 54/2008 wef 15/02/2008]
 - (j) foundation for steel tank, equipment and the like not exceeding 20 metres in height;
[S 665/2013 wef 28/10/2013]

FOURTH SCHEDULE — *continued*

- (k) foundation and supporting frames for gantry cranes, overhead cranes, jib cranes or monorail hoists that are independently supported if —
- (i) no span of frame between 2 supports exceeds 15 metres; and
 - (ii) no span of any cantilever supporting frame exceeds 6 metres;
- [S 101/2020 wef 10/02/2020]*
- (l) demolition of any building or structure; and
- [S 665/2013 wef 28/10/2013]*
[S 101/2020 wef 10/02/2020]
- (m) 2-storey buildings if —
- (i) no span of beam or slab in the building exceeds 15 metres;
 - (ii) no span of any cantilever in the building exceeds 6 metres; and
 - (iii) the building works do not involve pre-stressed or post-tensioned construction.

[S 101/2020 wef 10/02/2020]

2. Structural works consisting of repairs, alterations and additions to an existing building which do not materially affect the key structural elements of the building.

[S 54/2008 wef 15/02/2008]

FIFTH SCHEDULE

Regulations 2, 18(3A), 26, 27, 39(1)
and 41E(1)

OBJECTIVES AND PERFORMANCE REQUIREMENTS FOR THE DESIGN
AND CONSTRUCTION OF BUILDINGS**A. General**

1. This Schedule sets out the objectives and performance requirements that must be complied with in the design and construction of a building.

2. The objectives and performance requirements set out herein are deemed to have been satisfied if the design and construction of a building complies with the acceptable solutions set out in the Approved Document.

B. Structural Design and Construction**Objective**

3. The objectives of paragraphs 4 to 7 are to —

FIFTH SCHEDULE — *continued*

- (a) protect people from injury caused by structural failure;
- (b) protect people from loss of amenity caused by structural failure; and
- (c) protect other property from physical damage caused by structural failure.

Performance requirement

4. A building, including its foundation, shall be designed and constructed so that the combined dead, imposed, wind and other intended loads can be sustained and transmitted by it to the ground —

- (a) safely; and
- (b) without causing such deflection or deformation of any part of that building, or such movement of the ground, as will impair the stability of any part of another building or property.

4A. A floating structure on a body of water, including the foundation of the structure, must be designed and constructed so that the combined dead, imposed, wind and other intended loads can be sustained and transmitted by the floating structure to the body of water supporting the structure —

- (a) safely; and
- (b) without causing such deflection or deformation of any part of the structure, or such movement of the structure's foundation, as will impair the stability of any part of another building or property.

5. The building or structure shall be constructed with materials that are appropriate for the circumstances in which they are used.

6. Tests that are appropriate to the materials and building works concerned shall be performed on those materials and building works.

7. If a building or structure or any part thereof is to be demolished, the demolition works shall be carried out safely and without impairing the stability of any other part of that building or structure or another property.

C. Headroom and ceiling height**Objective**

8. The objectives of paragraph 9 are —

- (a) to protect people from injury caused by inadequate headroom; and
- (b) to prevent loss of amenity caused by inadequate height of room or space.

FIFTH SCHEDULE — *continued*

Performance requirement

9. Any room or space in a building must be provided with —

- (a) adequate headroom; and
- (b) adequate height,

for the intended uses of the room or space.

10. The requirements in paragraph 9(a) and (b) do not apply to any of the following rooms or spaces:

- (a) any attic that —
 - (i) does not exceed an area of 10 square metres; and
 - (ii) is in a house that is built for the owner's own use;
- (b) any equipment or plant room;
- (c) the underside of any staircase or escalator if the staircase or escalator is not located along an access route or circulation space;
- (d) any toilet, bathroom or lavatory in any house built for the owner's own use;
- (e) any store room not exceeding an area of 6 square metres.

10A. The requirement in paragraph 9(a) does not apply to any of the following rooms or spaces:

- (a) any corridor or lobby;
- (b) any toilet, bathroom, lavatory or powder room;
- (c) any localised area within a room or space where there is a drop in ceiling height due to physical constraints such as structural beams or building services.

D. Accessibility in built environment**Objective**

11. The objective of paragraphs 12 to 15 is to ensure that persons with disabilities are able to easily gain access to and exit from the whole or part of a building, and that persons with disabilities, children between 90 cm and 120 cm in height, caregivers of infants, and nursing women are able to carry out their activities within the building with reasonable ease.

Performance requirement

FIFTH SCHEDULE — *continued*

12. At least one access route shall have barrier-free features to enable persons with disabilities to —

- (a) approach the building or the vehicle park; and
- (b) have access to those spaces where they may be expected to work or visit.

13. Sanitary facilities that are appropriate for use by persons with disabilities, and sanitary facilities that are appropriate for use by children between 90 cm and 120 cm in height, shall be adequately provided for use by such persons.

14. Appropriate facilities for lactation and changing of diapers shall be adequately provided and be accessible for use by nursing women and caregivers of infants.

15. Appropriate wayfinding guides such as signages or audible or tactile information providing directions or instructions shall be adequately provided within a building to guide persons with disabilities to spaces or facilities where or which they may be expected to work, visit or use.

E. Staircases**Objective**

16. The objective of paragraphs 17 and 18 is to protect people from injury and to facilitate access during movement from one level to another in a building.

Performance requirement

17. A staircase (including a flight of 2 steps or more) shall provide a safe and suitable passage for the movement of people.

18. A staircase must have —

- (a) handrails or guides to assist movement;
- (b) landings to break a fall and provide a place for rest;
- (c) sufficient width, tread and riser to avoid injury;
- (d) sufficient headroom to avoid injury; and
- (e) barriers to prevent people from falling off the edge of any open side that has a drop of 1,000 mm or more.

18A. The requirement in paragraph 18(a) does not apply to a staircase located in any of following rooms or spaces:

FIFTH SCHEDULE — *continued*

- (a) any equipment or plant room;
- (b) any production area of an industrial building;
- (c) any house built for the owner's own use.

18B. The requirements in paragraph 18(b) and (c) do not apply to a staircase located in any of the following rooms or spaces:

- (a) any equipment or plant room;
- (b) any production area of an industrial building;
- (c) any attic that —
 - (i) does not exceed an area of 10 square metres; and
 - (ii) is in a residential building;
- (d) any house built for the owner's own use.

19. [*Deleted by S 665/2013 wef 01/04/2014*]

F. Lighting

Objective

20. The objective of paragraphs 21 and 22 is to protect people from injury or loss of amenity due to lack of lighting, whether natural or artificial.

Performance requirement

21. Lighting shall be adequately provided in a building for its intended purpose.

22. Residential buildings, other than houses built by the owners for their own use, shall be provided with natural lighting for the purpose of paragraph 21.

22A. Despite paragraph 22, artificial lighting may be provided to any of the following rooms or spaces in a residential unit, instead of natural lighting:

- (a) any toilet, bathroom or lavatory;
- (b) any store room;
- (c) any basement;
- (d) any civil defence shelter.

G. Ventilation

FIFTH SCHEDULE — *continued***Objective**

23. The objective of paragraphs 24 and 25 is to protect people from loss of amenity due to lack of fresh air.

Performance requirement

24. Ventilation shall be adequately provided in a building for its intended occupancy.

25. Residential buildings, other than houses built by the owners for their own use, shall be provided with natural ventilation for the purpose of paragraph 24.

25A. The requirement in paragraph 24 does not apply to any of the following rooms or spaces:

- (a) any store room not exceeding an area of 6 square metres;
- (b) any private lift lobby not exceeding an area of 6 square metres.

25B. Despite paragraph 25, mechanical ventilation may be provided in any of the following rooms or spaces in any residential development:

- (a) any fitness room;
- (b) any clubhouse;
- (c) any civil defence shelter;
- (d) any toilet, bathroom or lavatory;
- (e) any basement.

H. Safety from falling**Objective**

26. The objective of paragraphs 27, 27A and 27B is to protect people from injury caused by falling from a height.

Performance requirement

27. Where there is a vertical drop in level of 1000 mm or more, appropriate measures shall be taken to prevent people from falling from a height.

27A. Where a barrier is installed to prevent a person from falling from a height, the barrier —

- (a) must be sufficiently high to prevent a person from falling over the top of the barrier;

FIFTH SCHEDULE — *continued*

- (b) must not have any opening or gap that will allow a person to slip through the barrier; and
- (c) must not have any feature that facilitates a person in climbing over the barrier.

27B. Where glass is used as a part or the whole of a barrier, the glass used shall be able to withstand the loading for which it is designed and shall not be susceptible to spontaneous breakage or to shattering.

28. The requirements in paragraphs 27, 27A and 27B shall not apply to —

- (a) any roof which is accessible for maintenance purposes only and not easily accessible to the public; and
- (b) any area where the provision of a barrier would prevent it from being used as intended, such as a loading dock or pier, platform for loading or unloading of goods, or for the boarding or alighting of passengers, stage for performance or entertainment, golf driving range, equipment pit and the like.

28A. The requirement in paragraph 27A(a) does not apply to a barrier installed in any house built for the owner's own use.

28B. The requirement in paragraph 27A(b) does not apply to a barrier installed in any of the following places:

- (a) any promenade or boardwalk at ground level along a waterfront;
- (b) any house built for the owner's own use.

28C. The requirement in paragraph 27A(c) does not apply to a barrier installed in any of the following places:

- (a) any industrial building;
- (b) any promenade or boardwalk at ground level along a waterfront;
- (c) any bay window in a residential unit;
- (d) any house built for the owner's own use.

I. Energy efficiency

Objective

29. The objective of paragraphs 30 and 31 is to facilitate efficient use of energy.

Performance requirement

FIFTH SCHEDULE — *continued*

30. A building shall be designed and constructed with energy conservation measures to reduce —

- (a) solar heat gain through the roof;
- (b) solar heat gain through the building envelope;
- (c) air leakage through doors, windows and other openings on the building envelope;
- (d) energy consumption of lighting, air-conditioning and mechanical ventilation systems; and
- (e) energy wastage through adequate provisions of switching means.

31. Commercial buildings with an aggregate floor area of more than 500m² shall be installed or equipped with means to facilitate the collection of energy consumption data.

31A. The requirement in paragraph 30(a) does not apply to a roof of any of the following buildings that does not have air-conditioning:

- (a) any building with a gross floor area not exceeding 500 square metres;
- (b) any open-side shed;
- (c) any linkway;
- (d) any covered walkway;
- (e) any store room or utility room;
- (f) any equipment or plant room.

J. Roof**Objective**

32. The objective of paragraph 33 is to protect the roof of semi-detached houses, terraced houses and linked houses from physical damage when repairs, alterations or additions to the roof of an adjoining house are being carried out.

Performance requirement

33. The roof shall be designed and constructed such that the roof of every house is separate and independent of each other.

K. Lifts and Escalators**Objective**

FIFTH SCHEDULE — *continued*

34. The objective of paragraphs 35 and 36 is to provide a convenient means of vertical transportation and to protect people from injury while using the lifts or escalators.

Performance requirement

35. Lifts and escalators shall —

- (a) move people safely; and
- (b) not produce excessive acceleration or deceleration.

36. A building comprising 5 or more storeys (including the ground level) shall be provided with one or more passenger lifts.

36A. All lift interior fittings and fixtures must be securely fastened by appropriate mechanical fasteners.

36B. The requirement in paragraph 35 does not apply to any stairlift or vertical platform lift that —

- (a) has a maximum vertical displacement of less than 1,000 mm when the lift is in operation;
- (b) has a maximum obstruction force of less than 150 Newtons when the lift is in operation; and
- (c) serves a single residential unit.

36C. In paragraph 36B, “stairlift” and “vertical platform lift” have the same meanings given to them in regulation 2(1) of the Building Maintenance and Strata Management (Lift, Escalator and Building Maintenance) Regulations 2016 (G.N. No. S 348/2016).

L. Lightning Protection

Objective

37. The objective of paragraph 38 is to protect a building from the direct effects of lightning strike and to protect its occupants from the risk of lightning current being discharged through the building.

Performance requirement

38. A lightning protection system shall be capable of protecting the building and its occupants from the effects of lightning strike.

M. Safety of windows

FIFTH SCHEDULE — *continued***Objective**

39. The objective of paragraphs 40 and 41 is to protect people from injury caused by falling windows.

Performance requirement

40. A window system shall be adequately designed and constructed with appropriate materials for its intended use.

41. A window system shall have —

- (a) window components, including fasteners, fixings, hinges and stays of adequate number, size and strength to safely support the weight of the window system and other loads imposed on it;
- (b) a structural frame profile that is of adequate size and strength and adequately reinforced at locations where screws or rivets are to be affixed; and
- (c) features and components to prevent the window from detaching, dislodging or falling during its intended use.

N. Use of glass at height**Objective**

42. The objective of paragraphs 43 and 44 is to protect people from injury caused by spontaneous breakage of glass elements at height and by falling glass panels resulting from bond failure of structural sealant.

Performance requirement

43. Where glass is used as a part or the whole of the facade, roof, canopy, wall or other type of overhead glazing of a building located at a height of 2.4 metres or more, whether situated within the interior or forming the exterior of a building, appropriate measures shall be taken to minimise the risk of injury to people in the event of spontaneous breakage of such glass elements.

44. Where structural sealant glazing is used in a glass curtain wall or other glass installation located at a height of 2.4 metres or more, whether situated within the interior or forming the exterior of a building, appropriate measures shall be taken to minimise the risk of injury to people in the event of falling glass panels resulting from bond failure of the structural sealant.

O. Protection from injury by vehicles in buildings

FIFTH SCHEDULE — *continued***Objective**

45. The objectives of paragraphs 46 and 47 are to protect people from injury caused by a vehicle breaching designated spaces for vehicular access in a building.

Performance requirement

46. Where the whole or part of a floor of a building allows vehicular access, such as a vehicle park or a ramp or route for vehicular access, appropriate barriers shall be installed to prevent vehicles from breaching the perimeter of the floor of the building.

47. Where any part of a building allows vehicular access near an area where people are likely to be present, such as a passenger pick-up point, a vehicle park lift lobby and the like, appropriate measures shall be taken to prevent vehicles from encroaching into such areas.

P. Daylight reflectance**Objective**

48. The objective of paragraph 49 is to protect occupants of buildings in the vicinity of a building from loss of amenity caused by the reflection of sunlight off the external surface of that building, arising from the use of materials with high daylight reflectance.

Performance requirement

49. The external surface (including a roof) of a building must be designed and constructed in a manner such that any reflection of sunlight off the external surface of the building does not result in loss of amenity to occupants of other buildings in the vicinity of that building.

[S 709/2017 wef 15/12/2017]

[S 287/2016 wef 27/06/2016]

[S 598/2004 wef 01/10/2004]

[S 4/2011 wef 01/07/2011]

[S 665/2013 wef 28/10/2013]

[S 665/2013 wef 01/04/2014]

SIXTH SCHEDULE

Regulation 38

PROHIBITED CONSTRUCTION MATERIALS

The following materials shall not be used in any building works:

- (a) high alumina cement;
- (b) aggregates which have potential for alkali-carbonate reaction or alkali-silica reaction for concrete works, including all other volcanic rocks or aggregates deriving from volcanic rocks;
- (c) admixtures containing calcium chloride.
- (d) *[Deleted by S 287/2016 wef 27/06/2016]*

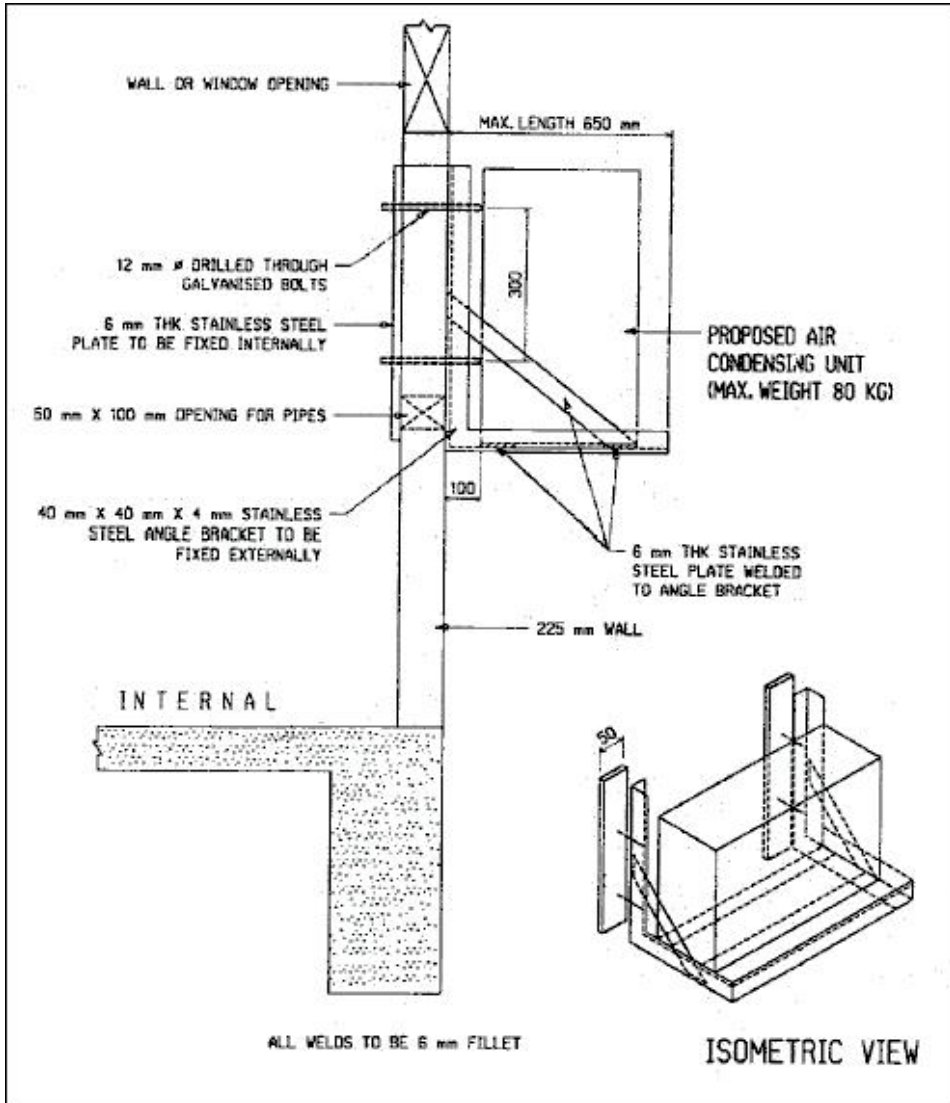
[S 287/2016 wef 27/06/2016]

SEVENTH SCHEDULE

Regulation 41C

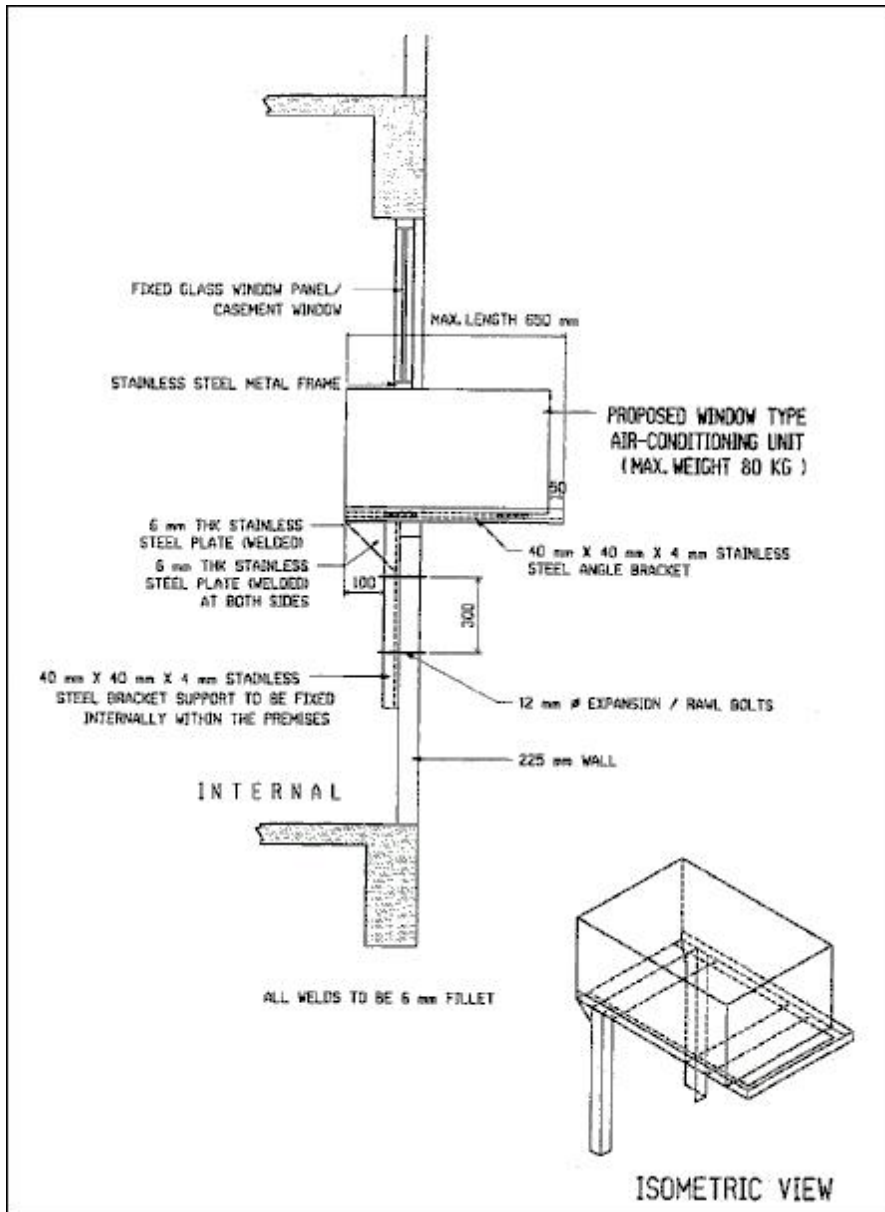
STRUCTURAL SUPPORTING SYSTEM FOR AIR-CONDITIONING UNIT

PART I

SEVENTH SCHEDULE — *continued*

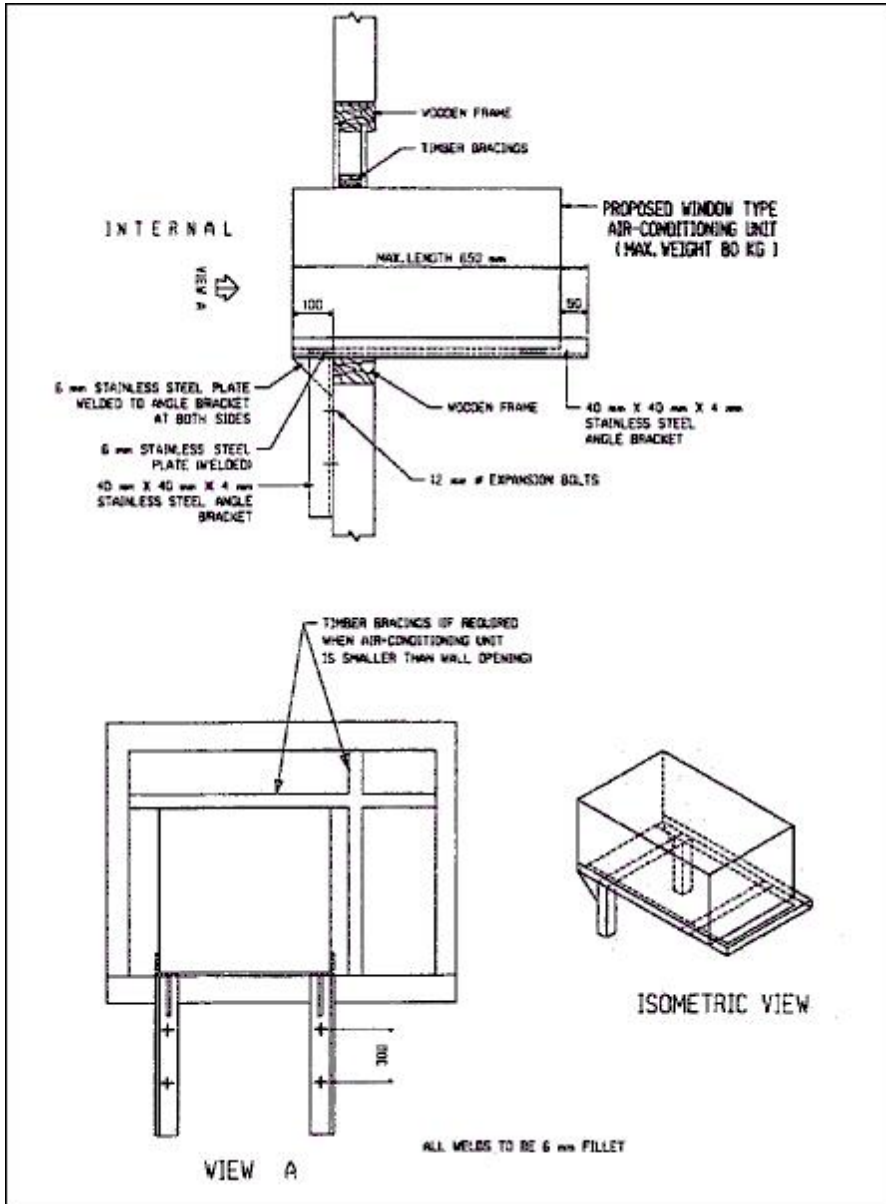
PART II

SEVENTH SCHEDULE — *continued*

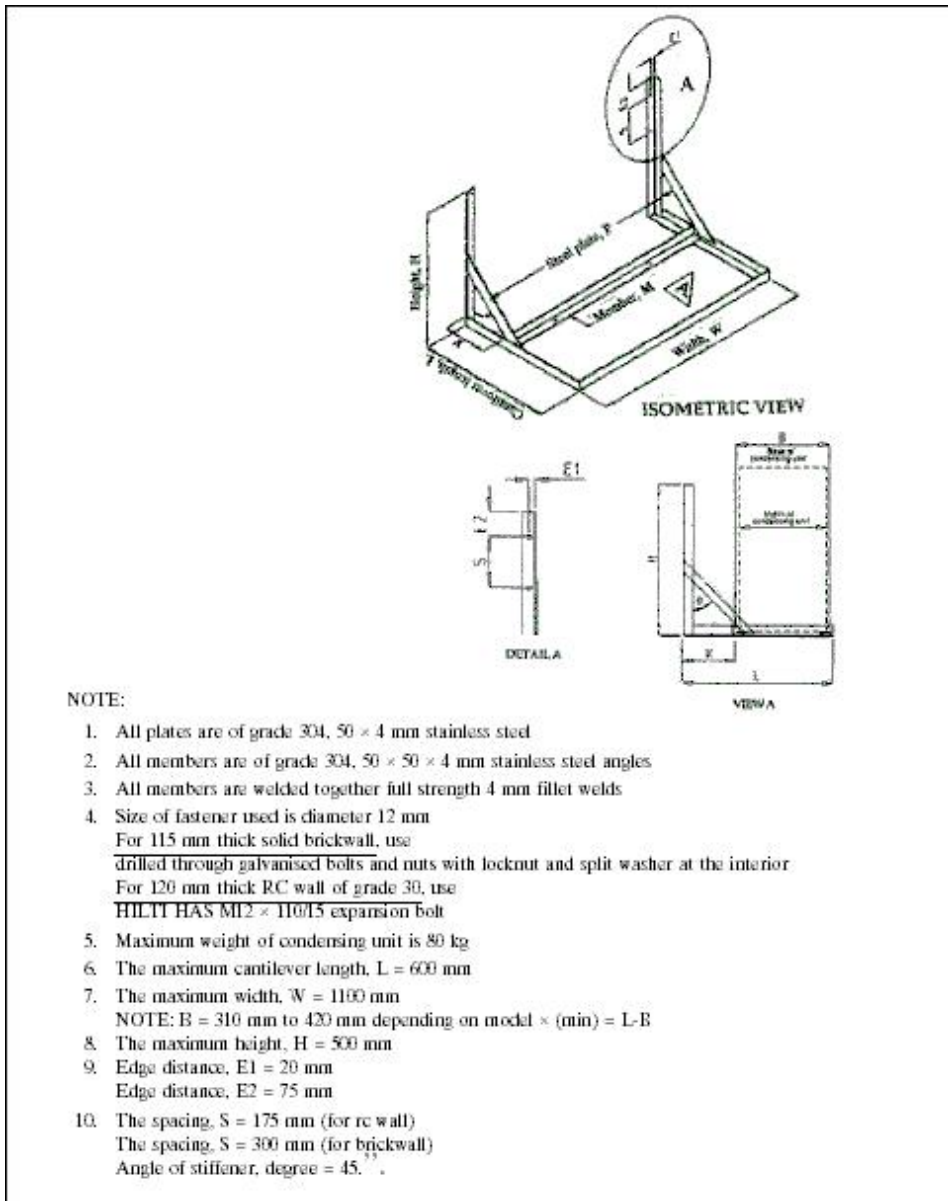


PART III

SEVENTH SCHEDULE — *continued*



PART IV

SEVENTH SCHEDULE — *continued*

[S 598/2004 wef 01/10/2004]

EIGHTH SCHEDULE

Regulation 24A

PART I

DUTIES OF QUALIFIED PERSON APPOINTED TO PREPARE THE PLANS OF GEOTECHNICAL ASPECTS OF GEOTECHNICAL BUILDING WORKS

1. In the preparation of plans relating to the geotechnical aspects of any excavation or other building works to construct a tunnel with a diameter, width or height of more than 2 metres, the qualified person shall —

- (a) determine the site investigation, namely type, extent (which shall include quantity, layout and depth), method of sampling, coring and laboratory tests results for the design and construction of the tunnel;
- (b) analyse the site investigation results and determine the geotechnical parameters for the design, taking into consideration onerous water conditions, seepage pressures, and surcharge, earth, water, construction and accidental loadings;
- (c) determine and adopt appropriate method or model for the analysis and design including the consideration of drained, undrained and consolidation analyses, and appropriate drainage conditions;
- (d) determine suitability of tunnelling method, sequence of construction, and tunnel support system including face pressures and ground support system;
- (e) determine allowable limits of ground deformation and changes in groundwater and piezometric levels, and measures to control groundwater where required;
- (f) analyse the stability of excavation and determine the ground stabilisation or improvement works as appropriate;
- (g) design soil or rock reinforcement, where applicable, including the consideration of the structural and geotechnical capacity;
- (h) determine the instrumentation and monitoring of geotechnical engineering parameters such as tunnel face pressures, pore pressures, water table level, ground deformation and stresses including the consideration of location, type and number of instruments, and frequency of monitoring and reporting; and
- (i) assess monitoring results and site conditions to ensure that the geotechnical aspects during construction are within design assumptions and parameters at every critical stage of construction,

EIGHTH SCHEDULE — *continued*

and review or modify the design so as to ensure its adequacy as appropriate.

2. In the preparation of plans relating to the geotechnical aspects of any excavation or any building works for constructing, altering or repairing any earth retaining structure (including slope) in or for a caisson, cofferdam, trench, ditch, shaft or well for supporting earth which has a depth or height of more than 6 metres, or of any earthworks or other building works for constructing or stabilising a slope with a height of more than 6 metres, the qualified person shall —

- (a) determine the site investigation, namely type, extent (which shall include quantity, layout and depth), method of sampling, coring and laboratory tests results for the design and construction of the earth retaining structure including earth slope;
- (b) analyse the site investigation results and determine the geotechnical parameters for the design of the earth retaining structure including consideration of onerous water conditions, seepage pressures, and surcharge, earth, water, construction and accidental loadings;
- (c) determine and adopt appropriate method or model for the analysis and design including the consideration of drained, undrained and consolidation analyses, and appropriate drainage conditions;
- (d) determine suitability of earth retaining structure types and scheme, and the method and sequence of construction;
- (e) analyse the stability of the excavation work, taking into consideration groundwater, drainage and seepage conditions, basal heave, hydraulic uplift and piping, and determine the ground stabilisation or improvement works as appropriate;
- (f) determine allowable limits of ground deformation and changes in groundwater and piezometric levels, and measures to control groundwater where required;
- (g) design tie-backs, soil or rock reinforcement, where applicable, including the consideration of the structural and geotechnical capacity;
- (h) ensure that drawings of the earth retaining structure, including earth slopes, are consistent with the calculations relating to the geotechnical aspects;
- (i) determine the instrumentation and monitoring of geotechnical engineering parameters such as pore pressures, water table levels, ground deformation and stresses including the consideration of location, type and number of instruments, and frequency of monitoring and reporting; and

EIGHTH SCHEDULE — *continued*

- (j) assess monitoring results and site conditions to ensure that the geotechnical aspects during construction are within design assumptions and parameters at every critical stage of construction, and review or modify the design so as to ensure its adequacy as appropriate.

[S 591/2012 wef 01/12/2012]

3. In the preparation of plans relating to the geotechnical aspects of such type of foundation works for buildings of 30 or more storeys, the qualified person shall —

- (a) where a caisson, raft or piled-raft foundation is adopted —
- (i) determine the site investigation, namely type, extent (which shall include quantity, layout and depth), method of sampling, coring and laboratory tests results for the design and construction of the caisson, raft or piled-raft foundation;
 - (ii) analyse the site investigation results and determine the geotechnical parameters, such as soil strength and deformation characteristics, pile shaft friction, downdrag, pile base resistance or bearing pressures and pile lateral geotechnical capacity, for the design of the foundation taking into consideration the onerous water conditions, seepage pressures, and loads from surcharge, earth, water and construction;
 - (iii) determine and adopt appropriate method or model for the analysis and design including the consideration of drained, undrained and consolidation analyses, and appropriate drainage conditions;
 - (iv) determine suitability of the foundation type and the method of construction;
 - (v) where applicable, determine and analyse the negative shaft friction;
 - (vi) ensure that the drawings of the foundation are consistent with the calculations relating to the geotechnical aspects;
 - (vii) analyse the stability of excavation for the caisson or raft during construction taking into consideration groundwater, drainage and seepage conditions, basal heave, hydraulic uplift and piping, and determine the ground stabilisation or improvement works as appropriate;

EIGHTH SCHEDULE — *continued*

- (viii) analyse the forces and deformation of the raft or pile-raft foundation and stability of the foundation including the consideration of short-term and long-term conditions;
 - (ix) determine the number, location and types of load tests, analyse the results of load tests; or
- (b) where jacked-in piles or driven piles or bored cast in-place piles or barrettes are adopted —
- (i) determine the site investigation including the extent (which shall include the quantity, layout and depth), method of sampling, coring and laboratory tests results for the design and construction of the piled foundation;
 - (ii) analyse the site investigation results and determine the geotechnical parameters such as soil strength and deformation characteristics, negative skin friction or downdrag, pile shaft friction, founding depth, pile base resistance, pile group effects, settlement, bearing capacity, and where applicable, lateral geotechnical capacity; and
 - (iii) determine the load tests and analyse results of load tests to ensure that the pile shaft friction, founding depth, base resistance, pile movement, and other appropriate geotechnical parameters are within the design, and as appropriate, review or modify the design so as to ensure its adequacy.

[S 643/2008 wef 18/12/2008]

PART II

DUTIES OF SUPERVISING QUALIFIED PERSON FOR THE
GEOTECHNICAL ASPECTS OF GEOTECHNICAL BUILDING WORKS

1. In the supervision of geotechnical aspects of any excavation or other building works to make a tunnel with a diameter, width or height of more than 2 metres, the supervising qualified person shall —

- (a) supervise the implementation of instrumentation and monitoring of geotechnical parameters in accordance with the instrumentation and monitoring plan; and
- (b) assess the ground conditions at the site and construction of the tunnel in relation to its impact on the geotechnical aspect of the design and review the performance and results of instrumentation and monitoring

EIGHTH SCHEDULE — *continued*

of the tunnelling works such that the geotechnical aspects are within the design at every critical stage.

2. In the supervision of geotechnical aspects of any excavation or any building works for constructing, altering or repairing any earth retaining structure including slope, in or for a caisson, trench, ditch, shaft or well with a depth or height of more than 6 metres, or of any earthworks or other building works for constructing or stabilising a slope with a height of more than 6 metres, the supervising qualified person shall —

- (a) supervise the implementation of instrumentation and monitoring of geotechnical engineering parameters in accordance with the instrumentation and monitoring plan;
- (b) determine adequacy of the founding or penetration depth of embedded earth-retaining wall on site; and
- (c) assess the ground conditions at the site and construction of the earth retaining structure (including earth slope) in relation to its impact on the geotechnical aspect of the design and review the performance and results of instrumentation and monitoring of the earth retaining structure including earth slope such that the geotechnical aspects are within the design at every critical stage.

[S 591/2012 wef 01/12/2012]

3. In the supervision of geotechnical aspects of such type of foundation works for buildings of 30 or more storeys, the supervising qualified person shall —

- (a) where a caisson, raft or piled-raft foundation is adopted —
 - (i) determine the founding or penetration depth of the caisson, raft or piles on site; and
 - (ii) assess the ground conditions at the site and construction of the caisson, raft or piled-raft foundation in relation to its impact on the geotechnical aspect of the design, analyse the results of load tests, and review the performance and results of instrumentation and monitoring of the caisson, raft or piled-raft foundation to verify that the geotechnical aspects are within the design at every critical stage; or
- (b) where jacked-in piles or driven piles or bored cast in-place piles or barrettes are adopted —
 - (i) determine the founding or penetration depth of the piles on site; and
 - (ii) assess the ground conditions at the site, analyse the results of load tests, and review the performance and results of

EIGHTH SCHEDULE — *continued*

instrumentation and monitoring of the piles to verify that the geotechnical aspects are within the design at every critical stage.

[S 250/2008 wef 01/10/2008]

Made this 29th day of December 2003.

PETER CHAN JER HING
*Permanent Secretary,
Ministry of National Development,
Singapore.*

[ND 202/1-19 Vol. 12; AG/LEG/SL/29/2002/1 Vol. 3]

(To be presented to Parliament under section 52 of the Building Control Act).